



## Pressure Switch

# SQ24 SPST TYPE



CE (need to add anti-dust cover SQA-1130).



CE (need to add anti-dust cover SQA-1130).



CE (need to add anti-dust cover SQA-1130).

TYPE	SQ245 Series			SQ246 Series			SQ24U Series		
Hex Length	24mm			24mm			24mm		
Body Material	Zinc-Plated Steel ROHS			SUS316			Brass		
Wiring	Screw	Push-on	Spade Terminal	Screw	Push-on	Spade Terminal	Screw	Push-on	Spade Terminal
Contact rating (Max.)	4A/ 42Vdc, 4A/ 220Vac (UL508)			4A/ 42Vdc, 4A/ 220Vac (UL508)			4A/ 42Vdc, 4A/ 220Vac (UL508)		
Response Frequency	2Hz			2Hz			2Hz		
Max. Voltage Peak	1.5KV (IEC60947-2)			1.5KV (IEC60947-2)			1.5KV (IEC60947-2)		
Electric Insulation	100MΩ(IEC60092-54 section3)			100MΩ(IEC60092-54 section3)			100MΩ(IEC60092-54 section3)		
Operation Temperature	-10°C ~100°C (IEC 60068-2-2)			-10°C ~100°C (IEC 60068-2-2)			-10°C ~100°C (IEC 60068-2-2)		
Membrane Materials	NBR(Standard) -30~100°C VITON -5 ~120°C EPDM -30~120°C			NBR(Standard) -30~100°C VITON -5 ~120°C EPDM -30~120°C			NBR(Standard) -30~100°C VITON -5 ~120°C EPDM -30~120°C		
Pressure Range	0.2~100bar			0.2~100bar			0.2~100bar		
Pressure Acting Variation	±5% full set point range @20°C			±5% full set point range @20°C			±5% full set point range @20°C		
Piping Selection	M10*1 (TAP 1°) M10*1, M12*1.5 PT1/8", PT1/4" G1/8", G1/4" NPT 1/8", NPT 1/4"			M10*1 (TAP 1°) M10*1, M12*1.5 PT1/8", PT1/4" G1/8", G1/4" NPT 1/8", NPT 1/4"			M10*1 (TAP 1°) M10*1, M12*1.5 PT1/8", PT1/4" G1/8", G1/4" NPT 1/8", NPT 1/4"		
Contact Model	NO, NC			NO, NC			NO, NC		
Body Protection	IP00 ( IEC 60529)			IP00 ( IEC 60529)			IP00 ( IEC 60529)		
Protection	IP67 ( IEC 60529)			IP67 ( IEC 60529)			IP67 ( IEC 60529)		
Mechanical Life	1.5X10 <sup>6</sup> cycles (in 50 bar)			1.5X10 <sup>6</sup> cycles (in 50 bar)			1.5X10 <sup>6</sup> cycles (in 50 bar)		
Screw Torque	<0.35Nm			<0.35Nm			<0.35Nm		
Shock Resistance	ISO / IEC 17025, Half Sine Wave, Acceleration: 30G@14ms, ±X, ±Y, ±Z axis			ISO / IEC 17025, Half Sine Wave, Acceleration: 30G@14ms, ±X, ±Y, ±Z axis			ISO / IEC 17025, Half Sine Wave, Acceleration: 30G@14ms, ±X, ±Y, ±Z axis		
Vibration Resistance	ISO / IEC 17025, Sine Wave, 5-200 Hz, Acceleration: 10G, Displacement: 16 mm, Sweeping Rate: 1 Oct/ min, Test Direction: X, Y, Z axis, Test Time: 1hr for each			ISO / IEC 17025, Sine Wave, 5-200 Hz, Acceleration: 10G, Displacement: 16 mm, Sweeping Rate: 1 Oct/ min, Test Direction: X, Y, Z axis, Test Time: 1hr for each			ISO / IEC 17025, Sine Wave, 5-200 Hz, Acceleration: 10G, Displacement: 16 mm, Sweeping Rate: 1 Oct/ min, Test Direction: X, Y, Z axis, Test Time: 1hr for each		

Feature
<ul style="list-style-type: none"> <li>■ Robust In Any Severe Application</li> <li>■ Customized Body Housing (steel, Sus316, Brass)</li> <li>■ Selectable Contact (Gold Contact or Silver Contact)</li> <li>■ Screw / Push-on Terminal Contact Selectable</li> <li>■ High Quality And Cost Effective</li> <li>■ Adjustable Pressure Range Setting</li> </ul>

Application
<ul style="list-style-type: none"> <li>■ Pressure Detection For Automobile Braking System</li> <li>■ Pressure Control For Piping System</li> <li>■ Hydraulic Detection For Fire Fighting System</li> <li>■ Hydraulic Industry</li> <li>■ Lubrication System</li> <li>■ Sprinkler System</li> <li>■ Air Compressor</li> <li>■ Medical Equipment</li> <li>■ Tire Manufacturing</li> </ul>



# SQ27 SPDT TYPE



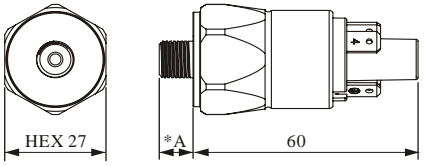
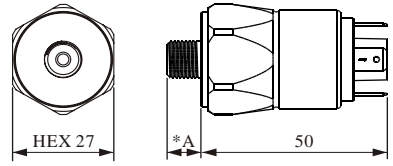
TYPE	SQ275 Series		SQ276 Series		SQ27U Series	
<b>Hex Length</b>	27mm		27mm		27mm	
<b>Body Material</b>	Zinc-Plated Steel		SUS316		Brass	
<b>Wiring</b>	Push-on	Spade Terminal	Push-on	Spade Terminal	Push-on	Spade Terminal
<b>Contact rating (Max.)</b>	2A/ 42Vdc, 2A/ 220Vac (UL508)		2A/ 42Vdc, 2A/ 220Vac (UL508)		2A/ 42Vdc,2A/ 220Vac (UL508)	
<b>Response Frequency</b>	2Hz		2Hz		2Hz	
<b>Max. Voltage Peak</b>	1.5KV (IEC60947-2)		1.5KV (IEC60947-2)		1.5KV (IEC60947-2)	
<b>Electric Insulation</b>	100MΩ(IEC60092-54 section3)		100MΩ(IEC60092-54 section3)		100MΩ(IEC60092-54 section3)	
<b>Operation Temperature</b>	-10°C ~100°C (IEC 60068-2-2)		-10°C ~100°C (IEC 60068-2-2)		-10°C ~100°C (IEC 60068-2-2)	
<b>Membrane Materials</b>	NBR(Standard) -30~100°C VITON -5 ~120°C EPDM -30~120°C		NBR(Standard) -30~100°C VITON -5 ~120°C EPDM -30~120°C		NBR(Standard) -30~100°C VITON -5 ~120°C EPDM -30~120°C	
<b>Pressure Range</b>	0.3~100bar		0.3~100bar		0.3~100bar	
<b>Pressure Acting Variation</b>	±5% full set point range @20°C		±5% full set point range @20°C		±5% full set point range @20°C	
<b>Piping Selection</b>	M10*1 (TAP 1°) M10*1, M12*1.5 PT1/8", PT1/4" G1/8", G1/4" NPT 1/8", NPT 1/4"		M10*1 (TAP 1°) M10*1, M12*1.5 PT1/8", PT1/4" G1/8", G1/4" NPT 1/8", NPT 1/4"		M10*1 (TAP 1°) M10*1, M12*1.5 PT1/8", PT1/4" G1/8", G1/4" NPT 1/8", NPT 1/4"	
<b>Contact Model</b>	SPDT		SPDT		SPDT	
<b>Body Protection</b>	IP00 ( IEC 60529)		IP00 ( IEC 60529)		IP00 ( IEC 60529)	
<b>Protection</b>	IP65 ( IEC 60529)		IP65 ( IEC 60529)		IP65 ( IEC 60529)	
<b>Mechanical Life</b>	1.5X10 <sup>6</sup> cycles (in 50 bar)		1.5X10 <sup>6</sup> cycles (in 50 bar)		1.5X10 <sup>6</sup> cycles (in 50 bar)	
<b>Screw Torque</b>	<0.35Nm		<0.35Nm		<0.35Nm	
<b>Shock Resistance</b>	ISO / IEC 17025, Half Sine Wave, Acceleration: 30G@14ms, ±X, ±Y, ±Z axis		ISO / IEC 17025, Half Sine Wave, Acceleration: 30G@14ms, ±X, ±Y, ±Z axis		ISO / IEC 17025, Half Sine Wave, Acceleration: 30G@14ms, ±X, ±Y, ±Z axis	
<b>Vibration Resistance</b>	ISO / IEC 17025, Sine Wave, 5-200 Hz, Acceleration: 10G, Displacement: 16 mm, Sweeping Rate: 1 Oct/ min, Test Direction: X, Y, Z axis, Test Time: 1hr for each		ISO / IEC 17025, Sine Wave, 5-200 Hz, Acceleration: 10G, Displacement: 16 mm, Sweeping Rate: 1 Oct/ min, Test Direction: X, Y, Z axis, Test Time: 1hr for each		ISO / IEC 17025, Sine Wave, 5-200 Hz, Acceleration: 10G, Displacement: 16 mm, Sweeping Rate: 1 Oct/ min, Test Direction: X, Y, Z axis, Test Time: 1hr for each	

Feature
<ul style="list-style-type: none"> <li>■ Robust In Any Severe Application</li> <li>■ Customized Body Housing (steel, Sus316, Brass)</li> <li>■ Selectable Contact (gold Contact Or Silver Contact)</li> <li>■ Screw / Push-on Terminal Contact Selectable</li> <li>■ High Quality And Cost Effective</li> <li>■ Adjustable Pressure Range Setting</li> </ul>

Application
<ul style="list-style-type: none"> <li>■ Pressure Detection For Automobile Braking System</li> <li>■ Pressure Control For Piping System</li> <li>■ Hydraulic Detection For Fire Fighting System</li> <li>■ Hydraulic Industry</li> <li>■ Lubrication System</li> <li>■ Sprinkler System</li> <li>■ Air Compressor</li> <li>■ Medical Equipment</li> <li>■ Tire Manufacturing</li> </ul>

# ORDER INFORMATION

**Product Dimension**

**SQ275/ 276/27U Series**  
**Push-on:**  **Spade:** 

**\*A 9mm:** M10\*1 taper, M10, G1/4", PT1/4", NPT 1/8" **12mm:** M12\*1.5, G1/4", PT1/4", NPT 1/4" (Umit: mm)

## SQ27 Series Field Adjustable Pressure

Pressure range		Connection	
0.3~0.9bar	± 0.1	M10X1 (TAP 1°)	SQ27 □-RS1 □-M1-□-□
		M10X1	SQ27 □-RS1 □-M0-□-□
		M12X1.5	SQ27 □-RS1 □-M2-□-□
		1/8"PT	SQ27 □-RS1 □-1Q-□-□
		1/4"PT	SQ27 □-RS1 □-2Q-□-□
		1/8"G	SQ27 □-RS1 □-1V-□-□
		1/4"G	SQ27 □-RS1 □-2V-□-□
		1/8"NPT	SQ27 □-RS1 □-1U-□-□
		1/4"NPT	SQ27 □-RS1 □-2U-□-□
1~19bar	± 5%	M10X1 (TAP 1°)	SQ27 □-RL1 □-M1-□-□
		M10X1	SQ27 □-RL1 □-M0-□-□
		M12X1.5	SQ27 □-RL1 □-M2-□-□
		1/8"PT	SQ27 □-RL1 □-1Q-□-□
		1/4"PT	SQ27 □-RL1 □-2Q-□-□
		1/8"G	SQ27 □-RL1 □-1V-□-□
		1/4"G	SQ27 □-RL1 □-2V-□-□
		1/8"NPT	SQ27 □-RL1 □-1U-□-□
20~49bar	± 5%	M10X1 (TAP 1°)	SQ27 □-RM1 □-M1-□-□
		M10X1	SQ27 □-RM1 □-M0-□-□
		M12X1.5	SQ27 □-RM1 □-M2-□-□
		1/8"PT	SQ27 □-RM1 □-1Q-□-□
		1/4"PT	SQ27 □-RM1 □-2Q-□-□
		1/8"G	SQ27 □-RM1 □-1V-□-□
		1/4"G	SQ27 □-RM1 □-2V-□-□
		1/8"NPT	SQ27 □-RM1 □-1U-□-□
50~100bar	± 5%	M10X1 (TAP 1°)	SQ27 □-RH1 □-M1-□-□
		M10X1	SQ27 □-RH1 □-M0-□-□
		M12X1.5	SQ27 □-RH1 □-M2-□-□
		1/8"PT	SQ27 □-RH1 □-1Q-□-□
		1/4"PT	SQ27 □-RH1 □-2Q-□-□
		1/8"G	SQ27 □-RH1 □-1V-□-□
		1/4"G	SQ27 □-RH1 □-2V-□-□
		1/8"NPT	SQ27 □-RH1 □-1U-□-□
1/4"NPT	SQ27 □-RH1 □-2U-□-□		

## SQ27 Series Fixed Pressure

Connection	
M10X1 (TAP 1°)	SQ27 □-□□□ □-M1-□-□
M10X1	SQ27 □-□□□ □-M0-□-□
M12X1.5	SQ27 □-□□□ □-M2-□-□
1/8"PT	SQ27 □-□□□ □-1Q-□-□
1/4"PT	SQ27 □-□□□ □-2Q-□-□
1/8"G	SQ27 □-□□□ □-1V-□-□
1/4"G	SQ27 □-□□□ □-2V-□-□
1/8"NPT	SQ27 □-□□□ □-1U-□-□
1/4"NPT	SQ27 □-□□□ □-2U-□-□

<b>Body Material</b>	5: Zinc-Plated Steel 6: SUS316 U: Brass
<b>Pressure</b>	□□□ = 0 X 2 = 0.2Bar □□□ = 1 X 1 = 1.1Bar □□□ = 0 0 5 = 5Bar □□□ = 0 5 0 = 50Bar (0.3~0.9Bar) Tolerance 0.1Bar (1~100Bar) Tolerance 5%
<b>Contact Form</b>	C: SPDT
<b>Diaphragm Material</b>	N: NBR    D: EPDM    V: VITON
<b>Wiring</b>	P: Push-on    E: Spade Terminal

<b>Body Material</b>	5: Zinc-Plated Steel 6: SUS316 U: Brass
<b>Contact Form</b>	C: SPDT
<b>Diaphragm Material</b>	N: NBR    D: EPDM V: VITON
<b>Wiring</b>	P: Push-on    E: Spade Terminal

# SQ27 DIN TYPE



TYPE	SQ275 Series		SQ276 Series		SQ27U Series	
<b>Hex Length</b>	27mm		27mm		27mm	
<b>Body Material</b>	Zinc-Plated Steel ROHS		SUS316		Brass	
<b>Wiring</b>	Push-on	Spade Terminal	Push-on	Spade Terminal	Push-on	Spade Terminal
<b>Contact rating (Max.)</b>	2A/ 42Vdc, 2A/ 220Vac (UL508)		2A/ 42Vdc, 2A/ 220Vac (UL508)		2A/ 42Vdc, 2A/ 220Vac (UL508)	
<b>Response Frequency</b>	2Hz		2Hz		2Hz	
<b>Max. Voltage Peak</b>	1.5KV (IEC60947-2)		1.5KV (IEC60947-2)		1.5KV (IEC60947-2)	
<b>Electric Insulation</b>	100MΩ(IEC60092-54 section3)		100MΩ(IEC60092-54 section3)		100MΩ(IEC60092-54 section3)	
<b>Operation Temperature</b>	-10°C ~100°C (IEC 60068-2-2)		-10°C ~100°C (IEC 60068-2-2)		-10°C ~100°C (IEC 60068-2-2)	
<b>Membrane Materials</b>	NBR(Standard) -30~100°C VITON -5 ~120°C EPDM -30~120°C		NBR(Standard) -30~100°C VITON -5 ~120°C EPDM -30~120°C		NBR(Standard) -30~100°C VITON -5 ~120°C EPDM -30~120°C	
<b>Pressure Range</b>	0.3~100bar		0.3~100bar		0.3~100bar	
<b>Pressure Acting Variation</b>	±5% full set point range @20°C		±5% full set point range @20°C		±5% full set point range @20°C	
<b>Piping Selection</b>	M10*1 (TAP 1°) M10*1, M12*1.5 PT1/8", PT1/4" G1/8", G1/4" NPT 1/8", NPT 1/4"		M10*1 (TAP 1°) M10*1, M12*1.5 PT1/8", PT1/4" G1/8", G1/4" NPT 1/8", NPT 1/4"		M10*1 (TAP 1°) M10*1, M12*1.5 PT1/8", PT1/4" G1/8", G1/4" NPT 1/8", NPT 1/4"	
<b>Contact Model</b>	SPDT		SPDT		SPDT	
<b>Body Protection</b>	IP00 ( IEC 60529)		IP00 ( IEC 60529)		IP00 ( IEC 60529)	
<b>Protection</b>	IP65 ( IEC 60529)		IP65 ( IEC 60529)		IP65 ( IEC 60529)	
<b>Mechanical Life</b>	1.5X10 <sup>6</sup> cycles (in 50 bar)		1.5X10 <sup>6</sup> cycles (in 50 bar)		1.5X10 <sup>6</sup> cycles (in 50 bar)	
<b>Screw Torque</b>	<0.35Nm		<0.35Nm		<0.35Nm	
<b>Shock Resistance</b>	ISO / IEC 17025, Half Sine Wave, Acceleration: 30G@14ms, ±X, ±Y, ±Z axis		ISO / IEC 17025, Half Sine Wave, Acceleration: 30G@14ms, ±X, ±Y, ±Z axis		ISO / IEC 17025, Half Sine Wave, Acceleration: 30G@14ms, ±X, ±Y, ±Z axis	
<b>Vibration Resistance</b>	ISO / IEC 17025, Sine Wave, 5-200 Hz, Acceleration: 10G, Displacement: 16 mm, Sweeping Rate: 1 Oct/ min, Test Direction: X, Y, Z axis, Test Time: 1hr for each		ISO / IEC 17025, Sine Wave, 5-200 Hz, Acceleration: 10G, Displacement: 16 mm, Sweeping Rate: 1 Oct/ min, Test Direction: X, Y, Z axis, Test Time: 1hr for each		ISO / IEC 17025, Sine Wave, 5-200 Hz, Acceleration: 10G, Displacement: 16 mm, Sweeping Rate: 1 Oct/ min, Test Direction: X, Y, Z axis, Test Time: 1hr for each	

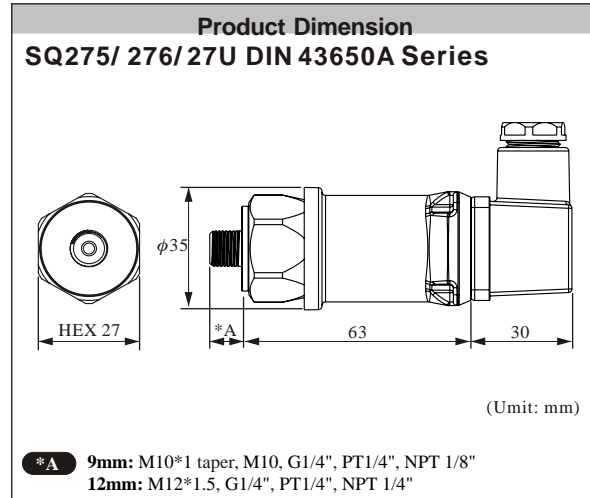
Feature
<ul style="list-style-type: none"> <li>■ Robust In Any Severe Application</li> <li>■ Customized Body Housing (steel, Sus316, Brass)</li> <li>■ Selectable Contact (Gold Contact or Silver Contact)</li> <li>■ Screw / Push-on Terminal Contact Selectable</li> <li>■ High Quality And Cost Effective</li> <li>■ Adjustable Pressure Range Setting</li> </ul>

Application
<ul style="list-style-type: none"> <li>■ Pressure Detection For Automobile Braking System</li> <li>■ Pressure Control For Piping System</li> <li>■ Hydraulic Detection For Fire Fighting System</li> <li>■ Hydraulic Industry</li> <li>■ Lubrication System</li> <li>■ Sprinkler System</li> <li>■ Air Compressor</li> <li>■ Medical Equipment</li> <li>■ Tire Manufacturing</li> </ul>

# ORDER INFORMATION

## SQ27 DIN Series Field Adjustable Pressure

Pressure range		Connection	
0.3~0.9bar	± 0.1	M10X1 (TAP 1°)	SQ27 □-RS1 □-M1-□-□
		M10X1	SQ27 □-RS1 □-M0-□-□
		M12X1.5	SQ27 □-RS1 □-M2-□-□
		1/8"PT	SQ27 □-RS1 □-1Q-□-□
		1/4"PT	SQ27 □-RS1 □-2Q-□-□
		1/8"G	SQ27 □-RS1 □-1V-□-□
		1/4"G	SQ27 □-RS1 □-2V-□-□
		1/8"NPT	SQ27 □-RS1 □-1U-□-□
1/4"NPT	SQ27 □-RS1 □-2U-□-□		
1~19bar	± 5%	M10X1 (TAP 1°)	SQ27 □-RL1 □-M1-□-□
		M10X1	SQ27 □-RL1 □-M0-□-□
		M12X1.5	SQ27 □-RL1 □-M2-□-□
		1/8"PT	SQ27 □-RL1 □-1Q-□-□
		1/4"PT	SQ27 □-RL1 □-2Q-□-□
		1/8"G	SQ27 □-RL1 □-1V-□-□
		1/4"G	SQ27 □-RL1 □-2V-□-□
		1/8"NPT	SQ27 □-RL1 □-1U-□-□
1/4"NPT	SQ27 □-RL1 □-2U-□-□		
20~49bar	± 5%	M10X1 (TAP 1°)	SQ27 □-RM1 □-M1-□-□
		M10X1	SQ27 □-RM1 □-M0-□-□
		M12X1.5	SQ27 □-RM1 □-M2-□-□
		1/8"PT	SQ27 □-RM1 □-1Q-□-□
		1/4"PT	SQ27 □-RM1 □-2Q-□-□
		1/8"G	SQ27 □-RM1 □-1V-□-□
		1/4"G	SQ27 □-RM1 □-2V-□-□
		1/8"NPT	SQ27 □-RM1 □-1U-□-□
1/4"NPT	SQ27 □-RM1 □-2U-□-□		
50~100bar	± 5%	M10X1 (TAP 1°)	SQ27 □-RH1 □-M1-□-□
		M10X1	SQ27 □-RH1 □-M0-□-□
		M12X1.5	SQ27 □-RH1 □-M2-□-□
		1/8"PT	SQ27 □-RH1 □-1Q-□-□
		1/4"PT	SQ27 □-RH1 □-2Q-□-□
		1/8"G	SQ27 □-RH1 □-1V-□-□
		1/4"G	SQ27 □-RH1 □-2V-□-□
		1/8"NPT	SQ27 □-RH1 □-1U-□-□
1/4"NPT	SQ27 □-RH1 □-2U-□-□		
<b>Body Material</b>	5: Zinc-Plated Steel 6: SUS316 U: Brass		
<b>Contact Form</b>	C: SPDT		
<b>Diaphragm Material</b>	N: NBR      D: EPDM V: VITON		
<b>Wiring</b>	C: DIN43650A		



## SQ27 DIN Series Fixed Pressure

Connection	
M10X1 (TAP 1°)	SQ27 □-□□□□ □-M1-□-□
M10X1	SQ27 □-□□□□ □-M0-□-□
M12X1.5	SQ27 □-□□□□ □-M2-□-□
1/8"PT	SQ27 □-□□□□ □-1Q-□-□
1/4"PT	SQ27 □-□□□□ □-2Q-□-□
1/8"G	SQ27 □-□□□□ □-1V-□-□
1/4"G	SQ27 □-□□□□ □-2V-□-□
1/8"NPT	SQ27 □-□□□□ □-1U-□-□
1/4"NPT	SQ27 □-□□□□ □-2U-□-□
<b>Body Material</b>	5: Zinc-Plated Steel 6: SUS316 U: Brass
<b>Pressure</b>	□□□ = 0 X 2 = 0.2Bar □□□ = 1 X 1 = 1.1Bar □□□ = 0 0 5 = 5Bar □□□ = 0 5 0 = 50Bar (0.3~0.9Bar) Tolerance 0.1Bar (1~100Bar) Tolerance 5%
<b>Contact Form</b>	C: SPDT
<b>Diaphragm Material</b>	N: NBR      D: EPDM      V: VITON
<b>Wiring</b>	C: DIN43650A

# SQ24 WITH EXTENSION SOCKET



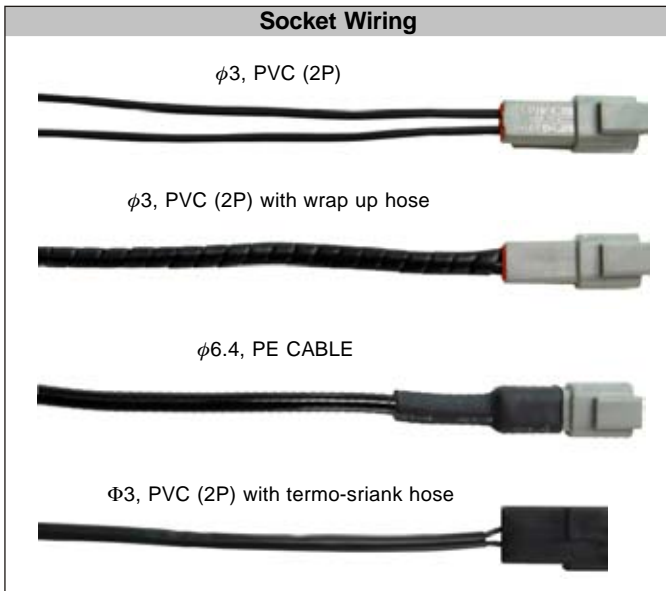
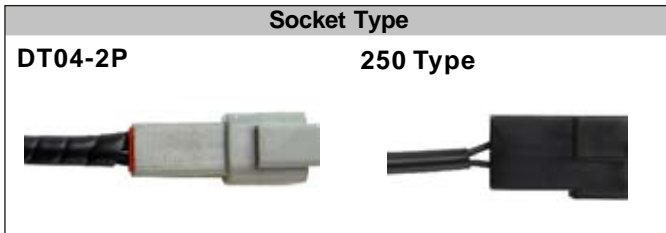
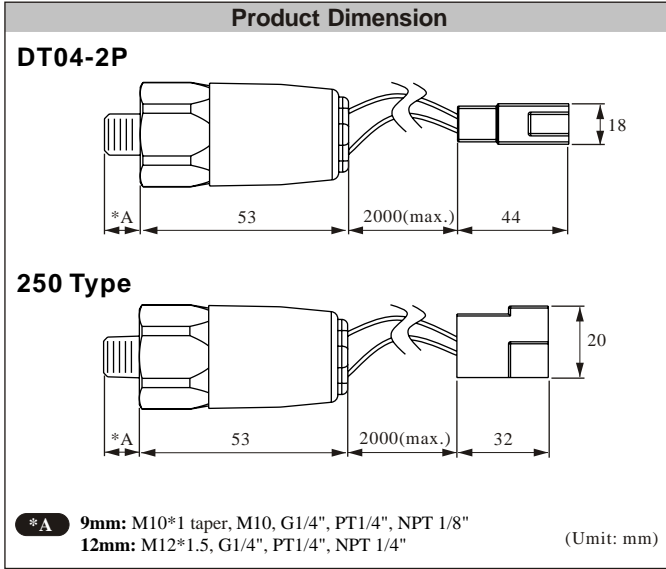
TYPE	SQ245 Series	SQ246 Series	SQ24U Series
<b>Hex Length</b>	24mm	24mm	24mm
<b>Body Material</b>	Zinc-Plated Steel	SUS316	Brass
<b>Wiring</b>	DT04-2P, 250 Type	DT04-2P, 250 Type	DT04-2P, 250 Type
<b>Contact rating (Max.)</b>	4A/ 42Vdc, 4A/ 220Vac (UL508)	4A/ 42Vdc, 4A/ 220Vac (UL508)	4A/ 42Vdc, 4A/ 220Vac (UL508)
<b>Response Frequency</b>	2Hz	2Hz	2Hz
<b>Max. Voltage Peak</b>	1.5KV (IEC60947-2)	1.5KV (IEC60947-2)	1.5KV (IEC60947-2)
<b>Electric Insulation</b>	100MΩ(IEC60092-54 section3)	100MΩ(IEC60092-54 section3)	100MΩ(IEC60092-54 section3)
<b>Operation Temperature</b>	-10°C ~100°C (IEC 60068-2-2)	-10°C ~100°C (IEC 60068-2-2)	-10°C ~100°C (IEC 60068-2-2)
<b>Membrane Materials</b>	NBR(Standard) -30~100°C VITON -5 ~120°C EPDM -30~120°C	NBR(Standard) -30~100°C VITON -5 ~120°C EPDM -30~120°C	NBR(Standard) -30~100°C VITON -5 ~120°C EPDM -30~120°C
<b>Pressure Range</b>	0.2~100bar	0.2~100bar	0.2~100bar
<b>Pressure Acting Variation</b>	±5% full set point range @20°C	±5% full set point range @20°C	±5% full set point range @20°C
<b>Piping Selection</b>	M10*1 (TAP 1°) M10*1, M12*1.5 PT1/8", PT1/4" G1/8", G1/4" NPT 1/8", NPT 1/4"	M10*1 (TAP 1°) M10*1, M12*1.5 PT1/8", PT1/4" G1/8", G1/4" NPT 1/8", NPT 1/4"	M10*1 (TAP 1°) M10*1, M12*1.5 PT1/8", PT1/4" G1/8", G1/4" NPT 1/8", NPT 1/4"
<b>Contact Model</b>	NO, NC	NO, NC	NO, NC
<b>Protection</b>	IP67 ( IEC 60529)	IP67 ( IEC 60529)	IP67 ( IEC 60529)
<b>Mechanical Life</b>	1.5X10 <sup>6</sup> cycles (in 50 bar)	1.5X10 <sup>6</sup> cycles (in 50 bar)	1.5X10 <sup>6</sup> cycles (in 50 bar)
<b>Shock Resistance</b>	ISO / IEC 17025, Half Sine Wave, Acceleration: 30G@14ms, ±X, ±Y, ±Z axis	ISO / IEC 17025, Half Sine Wave, Acceleration: 30G@14ms, ±X, ±Y, ±Z axis	ISO / IEC 17025, Half Sine Wave, Acceleration: 30G@14ms, ±X, ±Y, ±Z axis
<b>Vibration Resistance</b>	ISO / IEC 17025, Sine Wave, 5-200 Hz, Acceleration: 10G, Displacement: 16 mm, Sweeping Rate: 1 Oct/ min, Test Direction: X, Y, Z axis, Test Time: 1hr for each	ISO / IEC 17025, Sine Wave, 5-200 Hz, Acceleration: 10G, Displacement: 16 mm, Sweeping Rate: 1 Oct/ min, Test Direction: X, Y, Z axis, Test Time: 1hr for each	ISO / IEC 17025, Sine Wave, 5-200 Hz, Acceleration: 10G, Displacement: 16 mm, Sweeping Rate: 1 Oct/ min, Test Direction: X, Y, Z axis, Test Time: 1hr for each

Feature
<ul style="list-style-type: none"> <li>■ Robust In Any Severe Application</li> <li>■ Customized Body Housing (steel, Sus316, Brass)</li> <li>■ Selectable Contact (gold Contact Or Silver Contact)</li> <li>■ Screw / Push-on Terminal Contact Selectable</li> <li>■ High Quality And Cost Effective</li> <li>■ Adjustable Pressure Range Setting</li> </ul>

Application
<ul style="list-style-type: none"> <li>■ Pressure Detection For Automobile Braking System</li> <li>■ Pressure Control For Piping System</li> <li>■ Hydraulic Detection For Fire Fighting System</li> <li>■ Hydraulic Industry</li> <li>■ Lubrication System</li> <li>■ Sprinkler System</li> <li>■ Air Compressor</li> <li>■ Medical Equipment</li> <li>■ Tire Manufacturing</li> </ul>



# ORDER INFORMATION



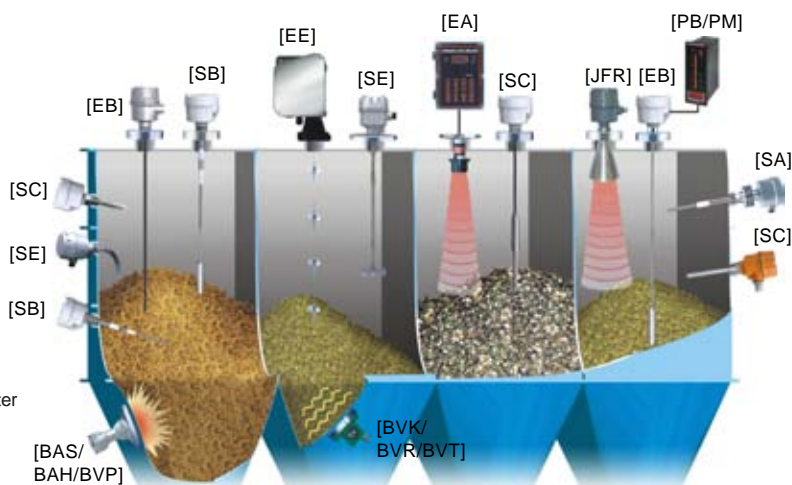
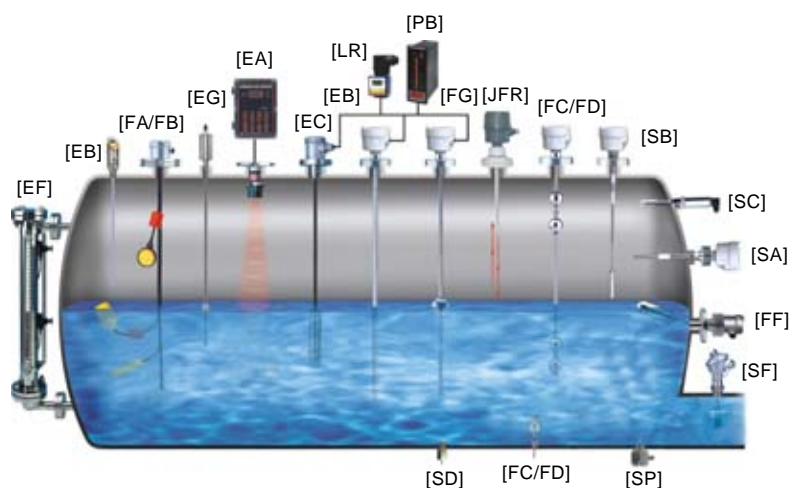
## SQ24 Series Fixed Pressure

Connection	
M10X1 (TAP 1°)	SQ24 □ - □ □ □ □ - M1 - □ - □ □
M10X1	SQ24 □ - □ □ □ □ - M0 - □ - □ □
M12X1.5	SQ24 □ - □ □ □ □ - M2 - □ - □ □
1/8"PT	SQ24 □ - □ □ □ □ - 1Q - □ - □ □
1/4"PT	SQ24 □ - □ □ □ □ - 2Q - □ - □ □
1/8"G	SQ24 □ - □ □ □ □ - 1V - □ - □ □
1/4"G	SQ24 □ - □ □ □ □ - 2V - □ - □ □
1/8"NPT	SQ24 □ - □ □ □ □ - 1U - □ - □ □
1/4"NPT	SQ24 □ - □ □ □ □ - 2U - □ - □ □

<b>Body Material</b>	5: Zinc-plating steel 6: SUS316 U: Brass
<b>Pressure</b>	□ □ □ = 0 X 2 = 0.2Bar □ □ □ = 1 X 1 = 1.1Bar □ □ □ = 0 0 5 = 5Bar □ □ □ = 0 5 0 = 50Bar (0.3~0.9Bar) Tolerance 0.1Bar (1~100Bar) Tolerance 5%
<b>Contact Form</b>	A: NO    B: NC
<b>Diaphragm Material</b>	N: NBR    D: EPDM    V: VITON
<b>Socket Type</b>	D: DT04-2P    A: 250 Type
<b>Socket Wiring</b>	A: $\phi 3$ , PVC (2P) B: $\phi 3$ , PVC (2P) with wrap up hose C: $\phi 6.4$ , PE CABLE D: $\phi 3$ , PVC (2P) with termo-sriank hose

# EXAMPLES-OF-TANK-MOUNTING

- [FC/FD] Mini Float/Magnetic Float Level Switch
- [FG] Magnetic Float Level Transmitter
- [FF] Side Mounting Float Switch
- [FA/FB] Cable Float Level Switch
- [SP] Thermal Dispersion Flow Switch
- [SF] Paddle Flow Switch
- [SD] Optical Level Switch
- [SE] Rotary Paddle Level Switch
- [SA] Capacitance Level Switch
- [EC] Pressure Level Transmitter
- [LR] Loop Power Indicator
- [SC] Vibrating Probe Level Switch
- [SC] Tuning Fork Level Switch
- [EB] RF-Capacitance Level Transmitter
- [SB] RF-Capacitance / Admittance Level Switch
- [EG] Magnetostrictive Level Transmitter
- [EF] By-Pass Level Transmitter
- [MEF] Mini By-Pass Level Transmitter
- [EA] Ultrasonic Level Transmitter
- [JFR] FMCW Radar Level Transmitter
- [EE] Electromechanical Level Measuring System
- [ED] Speed Monitor
- [SRT/SRS] Conveyer Belt Misalignment Switch & Safety Cable Pull Switch
- [PB/PM] Microprocessor Based Bargraphic Display Scaling Meter
- [BRD/AE] Valve and Controller for Dust Collector System
- [BAS/BAH/BVP] Air Hammer
- [BVK/BVR/BVT] Pneumatic Vibrator



## FineTek Co., Ltd.

No.16, Tzuchiang St., Tucheng Industrial Park, New Taipei City 236, Taiwan  
 TEL: +886-2-2269-6789 FAX: +886-2-2268-6682  
 Email: info@fine-tek.com http://www.fine-tek.com

## Fine automation (ShangHai) Co., Ltd.

No.451 DuHui Rd, MinHang District, Shanghai, China 201109  
 TEL: +86-21-6490-7260 FAX: +86-21-6490-7276  
 Email: info.sh@fine-tek.com

## FineTek Pte Ltd.

No. 11 Kaki Bukit Road 1, #04-01 Eunos  
 Technolink 415939, Singapore  
 TEL: +65-6452-6340 FAX: +65-6734-1878  
 Email: info.sg@fine-tek.com

## FineTeK GmbH

Frankfurter Str. 62, OG D-65428 Ruesselsehim, Germany  
 TEL: +49-(0)6142-17608-0 FAX: +49-(0)6142-17608-20  
 E-Mail: info@fine-tek.de



Distributor: