

Impeller Flowmeter

DHSF-2 DHSF-4



Function

The flowmeters type DHSF-2 and DHSF-4 are impeller flowmeters.

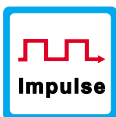
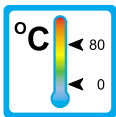


Application

The impeller flowmeters type DHSF-2 and DHSF-4 are employed to measure volume flow of liquids.

Areas of application:

- Mechanical Engineering
- Chemical Industry
- Research and Development



Features

The series proves itself through reliable function and easy handling. Further characteristics of this model are:

- Universal mounting
- High accuracy
- Hose connection

Installation hints

The installation of the flowmeter can be done in any way in the system. The optimum deaeration will be achieved with vertical mounting. The flow direction must be observed.

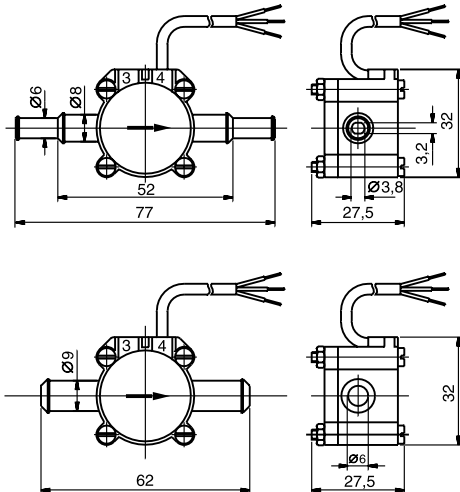
The flowmeter must not be used as a supporting part in a pipe construction.

The liquid must not contain any solids.

External magnetic fields influence the measurement. Keep sufficient distance to magnetic fields (e.g. electromotors).

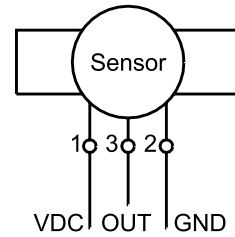


Ranges, Technical data



Connection diagram

- 1 VDC white
- 2 GND brown
- 3 OUT green



Operating data	DHSF-2	DHSF-4
Flow range (H ₂ O at 22 °C):	1,5 - 100 l/h	6 - 250 l/h
Sensing principle:	Hall-effect, touchless	
Viscosity range:	1 - 10 cSt	
Accuracy:	± 2 % from scale value (at same operating conditions)	
Repeatability:	< ± 0,8 % from scale value (at same operating conditions)	
Max. operating pressure:	6 bar	
Burst pressure (at 22 °C):	>15 bar	
Operating temperature:	0° C to +80 °C	
Ingress protection:	IP65	
Output signal:	square wave (push-pull output stage)	
Max. output current (at 24 V):	11 mA	
Power supply:	4,5 - 24 VDC	
Connection cable (1 m):	Round cable 3 x 0,14 mm ² LIYY	

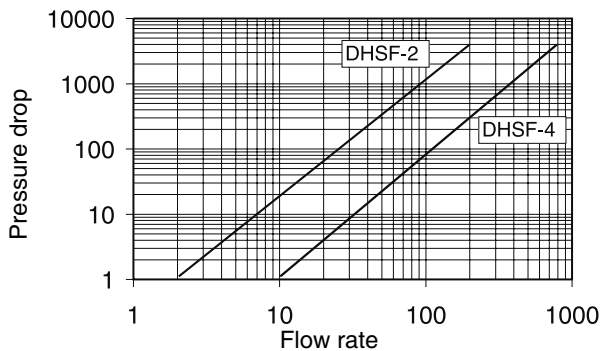
Materials	POM-Version
Housing:	POM
Impeller:	POM
Bearing (spigot bearing) for DHSF-2 (axle / bearing):	Corepoint® / POM
for DHSF-4 (axle / bearing):	Corepoint® / POM
Magnets:	sinter ceramic
O-Rings:	FKM or EPDM *
Weight:	approx. 45 g
Process connection:	6 mm / 8 mm hose connection on DHSF-2 9 mm hose connection on DHSF-4

* FKM: green colourcode

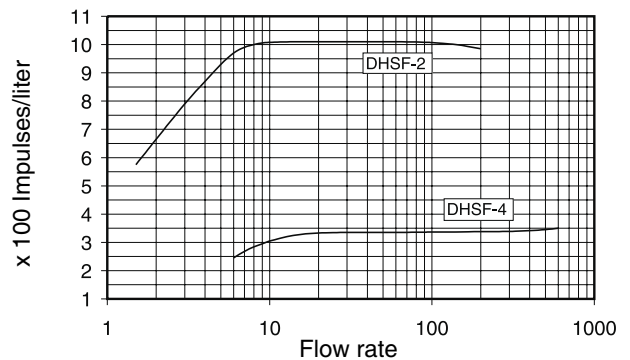
EPDM: black colourcode

KALREZ (optional): white colourcode

Pressure drop diagram



Pulse curve



DHSF-2/4 2 0002 04-05 E M

