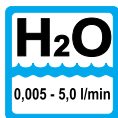


Flow monitor

RVM/U-S4

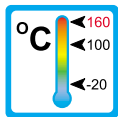
Function

The flow monitors type RVM/U-S4 operate with the float measuring principle.



Application

The flow monitors RVM/U-S4 are used for monitoring volume flow of liquid media.



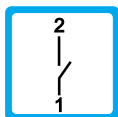
Areas of application:



– Mechanical Engineering
e.g. Weldingmachinery,
Laserplants



– Medicine technology



– Chemical industry



– Research and development

Features

The RVM/U-S4 series proves itself through reliable function and easy handling. Further characteristics of this sturdy type are:

- Universal mounting
- High reliability
- High switch accuracy
- Infinitely variable switch point adjustment by user
- High pressure resistance
- Hose connection

Installation hints

The installation of the flow monitor can be done in any way in the system. The flow direction must be observed.

The flow monitor must not be used as a supporting part in a pipeconstruction!

The medium must not contain solid particles!
We recommend the installation of strainers type SFD or SFM.

External magnetic fields influence the switch contact. Keep adequate distance to those magnetic fields (e.g. electromotors)!

The operating instructions for RVM/U-S4 must be observed under any circumstances!

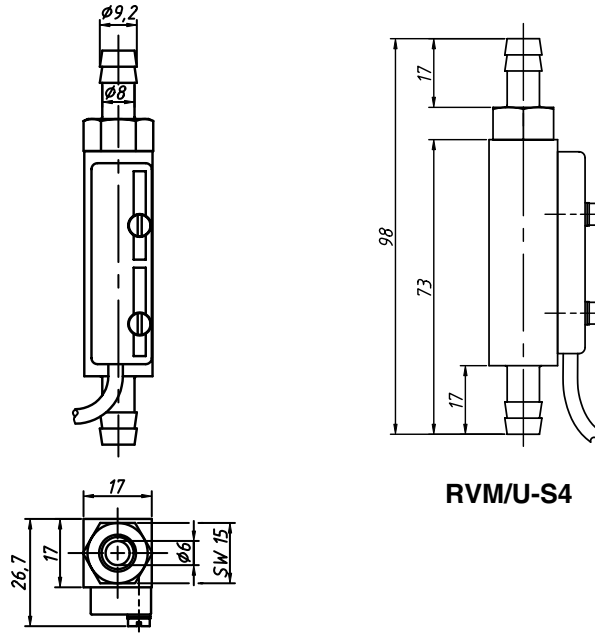
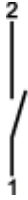
RVM/U-S4 1 0001 04-05 E M



Ranges, Technical data

Connection diagram:

Normally open



Summary of types RVM/U-S4

Type	Ranges H ₂ O* [l/min]	Nominal size DN	Weight [g]
RVM/U-S4/01	0,005 - 0,06	8	160
RVM/U-S4/02	0,04 - 0,13		
RVM/U-S4/06	0,1 - 0,6		
RVM/U-S4/1	0,2 - 1,2		
RVM/U-S4/2	0,4 - 2,0		
RVM/U-S4/3	0,5 - 3,0		
RVM/U-S4/5	1,0 - 5,0		

* The mentioned values are switch off points, other ranges on request.

Operating data	RVM/U-S4	
Operating pressure: Brass	PN 300 bar	
Operating pressure: Stainless Steel	PN 350 bar	
Pressure drop:	0,02 - 0,2 bar	
Max. medium temperature:	100 °C (optional 160 °C)	
Accuracy:	10% f.s.d.	
Electrical data		
Normally open:	max 200V • 1A • 20VA	
Ingress protection:	IP 67 (1 m molded cable)	
Output signal:	Contact opens, when flow falls below the set point.	
Power supply:	Not necessary (potential-free reed contacts)	
Other Plugs and cable configurations on request		
Materials	Brass	Stainless Steel
Wetted parts	Brass	1.4571
Spring:	1.4571	1.4571
Gaskets:	Perbunan (optional Viton, EPDM)	Viton (optional Perbunan, EPDM)*
Magnets:	Hard ferrite	Hard ferrite
Housing:	Brass	1.4571
Other gasket materials on request		

RVM/U-S4 2 0001 04-05 E.M

