



aqua HC3

TECHNICAL CHARACTERISTICS

MOD HC 300 C	FLOW RATE l/h	PRESSURE bar	PUMP HEAD MODEL	CC/STROKE
HC300C 01.10	1	10	PP 3/8" 1	0,13
HC300C 02.09	2	9	PP 3/8" 2-14	0,27
HC300C 02.20	2	20	PP 3/8" 2-14	0,27
HC300C 05.09	5	9	PP 3/8" 2-14	0,69
HC300C 10.04	10	4	PP 3/8" 2-14	1,38
HC300C 07.08	7	8	PP 3/8" 2-14	0,97
HC300C 14.03	14	3	PP 3/8" 2-14	1,94
HC300C 15.05	15	5	PP 3/8" 15-20	2,08
HC300C 30.02	30	2	PVC 1/2" 30/50	4,16
HC300C 50.0,5	50	0,5	PVC 1/2" 30/50	6,94



HC 300 C

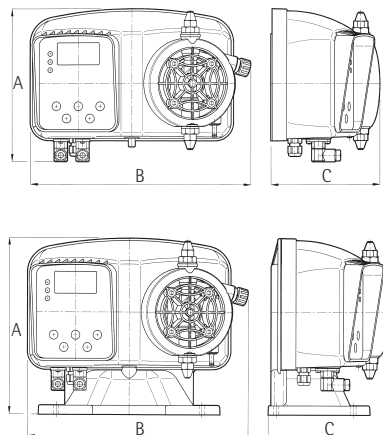
- Constant flow rate adjustment: 0-100% stroke frequency rate per minute
- Double scale flow rate selector 0+20% or 0+100% of stroke frequency rate
- Analogue controls
- IP 65 rated
- Upon request connections for level control and probe

COD	MOD	HOSE	DIMENSIONS (mm)		PACKING carton	VOLUME m ³	Kg
		DIAMETER	a x b x c WITH SUPPORT	a x b x c W/OUT SUPPORT			
AD3000110	HC300C 01.10	4 x 6	216 x 272 x 149	187 x 272 x 135	1	0,01	4→6
AD3000209	HC300C 02.09	4 x 6	216 x 272 x 149	187 x 272 x 135	1	0,01	4→6
AD3000220	HC300C 02.20	4 x 6	216 x 272 x 149	187 x 272 x 135	1	0,01	4→6
AD3000509	HC300C 05.09	4 x 6	216 x 272 x 149	187 x 272 x 135	1	0,01	4→6
AD3001004	HC300C 10.04	4 x 6	216 x 272 x 149	187 x 272 x 135	1	0,01	4→6
AD3000708	HC300C 07.08	4 x 6	216 x 272 x 149	187 x 272 x 135	1	0,01	4→6
AD3001403	HC300C 14.03	4 x 6	216 x 272 x 149	187 x 272 x 135	1	0,01	4→6
AD3001505	HC300C 15.05	4 x 6	216 x 272 x 149	187 x 272 x 135	1	0,01	4→6
AD3003002	HC300C 30.02	10x14	216 x 272 x 149	187 x 272 x 135	1	0,01	4→6
AD3005001	HC300C 50.0,5	10x14	216 x 272 x 149	187 x 272 x 135	1	0,01	4→6

CURVES

HC3 Pump Type	Flow at max pressure		Flow at average pressure		Flow at 1 bar	
	l/h	bar	l/h	bar	l/h	bar
01-10	1	10	1,7	5	2,2	1
02-09	2	9	3,5	4,5	7	1
02-20	2	20	3,9	10	7,5	1
05-09	5	9	8,4	4,5	9,8	1
10-04	10	4	11	2	14	1
07-08	7	8	9,5	4	10,5	1
14-03	14	3	15	1,5	15,1	1
15-05	15	5	15,5	2,5	16	1
30-02	30	2	33	1,5	37	1
50-01	50	0,5	-	-	-	-

NOTE: flow rates obtained testing the pump with medium hardness water at rated pressure, 1,5 m suction lift, room temperature.



aqua HC3

TECHNICAL CHARACTERISTICS

MOD HC300 P-I	MOD HC 300 mA	FLOW RATE l/h	PRESSURE bar	PUMP HEAD MODEL	CC/STROKE
HC300P-I 01.10	HC300mA 01.10	1	10	PP 3/8" 1	0,13
HC300P-I 02.09	HC300mA 02.09	2	9	PP 3/8" 2-14	0,27
HC300P-I 02.20	HC300mA 02.20	2	20	PP 3/8" 2-14	0,27
HC300P-I 05.09	HC300mA 05.09	5	9	PP 3/8" 2-14	0,69
HC300P-I 10.04	HC300mA 10.04	10	4	PP 3/8" 2-14	1,38
HC300P-I 07.08	HC300mA 07.08	7	8	PP 3/8" 2-14	0,97
HC300P-I 14.03	HC300mA 14.03	14	3	PP 3/8" 2-14	1,94
HC300P-I 15.05	HC300mA 15.05	15	5	PP 3/8" 15-20	2,08
HC300P-I 30.02	HC300mA 30.02	30	2	PVC 1/2"30/50	4,16
HC300P-I 50.0,5	HC300mA 50.01	50	0,5	PVC 1/2"30/50	6,94



HC 300 P-I

- Proportional pump to external digital impulse with level control and probe
- Proportional to external digital impulse divider-step down 999 (1:n); multiplier-step up (1xn)
- Constant adjustment of stroke frequency: stroke %
- Microprocessor technology, analog controls
- Supplied standard with low-level control facility
- Upon request Level Probe

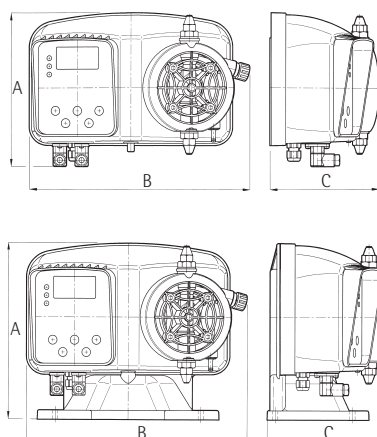
COD	MOD	HOSE DIAMETER	DIMENSIONS (mm) a x b x c WITH SUPPORT	DIMENSIONS (mm) a x b x c W/OUT SUPPORT	PACKING carton	VOLUME m ³	Kg
AD3200110	HC300P-I 01.10	4 x 6	216 x 272 x 149	187 x 272 x 135	1	0,01	4→6
AD3200209	HC300P-I 02.09	4 x 6	216 x 272 x 149	187 x 272 x 135	1	0,01	4→6
AD3200220	HC300P-I 02.20	4 x 6	216 x 272 x 149	187 x 272 x 135	1	0,01	4→6
AD3200509	HC300P-I 05.09	4 x 6	216 x 272 x 149	187 x 272 x 135	1	0,01	4→6
AD3201004	HC300P-I 10.04	4 x 6	216 x 272 x 149	187 x 272 x 135	1	0,01	4→6
AD3200708	HC300P-I 07.08	4 x 6	216 x 272 x 149	187 x 272 x 135	1	0,01	4→6
AD3201403	HC300P-I 14.03	4 x 6	216 x 272 x 149	187 x 272 x 135	1	0,01	4→6
AD3201505	HC300P-I 15.05	4 x 6	216 x 272 x 149	187 x 272 x 135	1	0,01	4→6
AD3203002	HC300P-I 30.02	10x14	216 x 272 x 149	187 x 272 x 135	1	0,01	4→6
AD3205001	HC300P-I 50.0,5	10x14	216 x 272 x 149	187 x 272 x 135	1	0,01	4→6



HC 300 mA

- Proportional to external analog signal 0/4-20mA
- Constant adjustment of stroke frequency: stroke %
- Microprocessor technology, digital controls
- LCD display
- Supplied standard with low-level control facility
- Upon request Level Probe

COD	MOD	HOSE DIAMETER	DIMENSIONS (mm) a x b x c WITH SUPPORT	DIMENSIONS (mm) a x b x c W/OUT SUPPORT	PACKING carton	VOLUME m ³	Kg
AD3300110	HC300mA 01.10	4 x 6	216 x 272 x 149	187 x 272 x 135	1	0,01	4→6
AD3300209	HC300mA 02.09	4 x 6	216 x 272 x 149	187 x 272 x 135	1	0,01	4→6
AD3300220	HC300mA 02.20	4 x 6	216 x 272 x 149	187 x 272 x 135	1	0,01	4→6
AD3300509	HC300mA 05.09	4 x 6	216 x 272 x 149	187 x 272 x 135	1	0,01	4→6
AD3301004	HC300mA 10.04	4 x 6	216 x 272 x 149	187 x 272 x 135	1	0,01	4→6
AD3300708	HC300mA 07.08	4 x 6	216 x 272 x 149	187 x 272 x 135	1	0,01	4→6
AD3301403	HC300mA 14.03	4 x 6	216 x 272 x 149	187 x 272 x 135	1	0,01	4→6
AD3301505	HC300mA 15.05	4 x 6	216 x 272 x 149	187 x 272 x 135	1	0,01	4→6
AD3303002	HC300mA 30.02	10x14	216 x 272 x 149	187 x 272 x 135	1	0,01	4→6
AD3305001	HC300mA 50.0,5	10x14	216 x 272 x 149	187 x 272 x 135	1	0,01	4→6



CURVES HC3

Pump Type	Flow at max pressure		Flow at average pressure		Flow at 1 bar	
	l/h	bar	l/h	bar	l/h	bar
01-10	1	10	1,7	5	2,2	1
02-09	2	9	3,5	4,5	7	1
02-20	2	20	3,9	10	7,5	1
05-09	5	9	8,4	4,5	9,8	1
10-04	10	4	11	2	14	1
07-08	7	8	9,5	4	10,5	1
14-03	14	3	15	1,5	15,1	1
15-05	15	5	15,5	2,5	16	1
30-02	30	2	33	1,5	37	1
50-0,5	50	0,5	-	-	-	-

NOTE: flow rates obtained testing the pump with medium hardness water at rated pressure, 1,5 m suction lift, room temperature.



aqua HC3

TECHNICAL CHARACTERISTICS

MOD HC300 dig	MOD HC301	FLOW RATE l/h	PRESSURE bar	PUMP HEAD MODEL	CC/STROKE
HC300dig 01.10	HC301 01.10	1	10	PP 3/8" 1	0,13
HC300dig 02.09	HC301 02.09	2	9	PP 3/8" 2-14	0,27
HC300dig 02.20	HC301 02.20	2	20	PP 3/8" 2-14	0,27
HC300dig 05.09	HC301 05.09	5	9	PP 3/8" 2-14	0,69
HC300dig 10.04	HC301 10.04	10	4	PP 3/8" 2-14	1,38
HC300dig 07.08	HC301 07.08	7	8	PP 3/8" 2-14	0,97
HC300dig 14.03	HC301 14.03	14	3	PP 3/8" 2-14	1,94
HC300dig 15.05	HC301 15.05	15	5	PP 3/8" 15-20	2,08
HC300dig 30.02	HC301 30.02	30	2	PVC 1/2 "30/50	4,16
HC300dig 50.0,5	HC301 50.0,5	50	0,5	PVC 1/2 "30/50	6,94

HC 300 dig

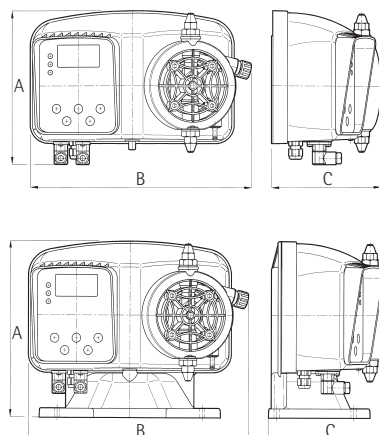
- Constant flow rate adjustment: 0-100% • Microprocessor technology, digital controls
- LCD display • Supplied standard with low-level control facility • Upon request Level Probe

COD	MOD	HOSE DIAMETER	DIMENSIONS (mm) a x b x c WITH SUPPORT	DIMENSIONS (mm) a x b x c W/OUT SUPPORT	PACKING carton	VOLUME m ³	Kg
AD3400110	HC300dig 01.10	4 x 6	216 x 272 x 149	187 x 272 x 135	1	0,01	4→6
AD3400209	HC300dig 02.09	4 x 6	216 x 272 x 149	187 x 272 x 135	1	0,01	4→6
AD3400220	HC300dig 02.20	4 x 6	216 x 272 x 149	187 x 272 x 135	1	0,01	4→6
AD3400509	HC300dig 05.09	4 x 6	216 x 272 x 149	187 x 272 x 135	1	0,01	4→6
AD3401004	HC300dig 10.04	4 x 6	216 x 272 x 149	187 x 272 x 135	1	0,01	4→6
AD3400708	HC300dig 07.08	4 x 6	216 x 272 x 149	187 x 272 x 135	1	0,01	4→6
AD3401403	HC300dig 14.03	4 x 6	216 x 272 x 149	187 x 272 x 135	1	0,01	4→6
AD3401505	HC300dig 15.05	4 x 6	216 x 272 x 149	187 x 272 x 135	1	0,01	4→6
AD3403002	HC300dig 30.02	10x14	216 x 272 x 149	187 x 272 x 135	1	0,01	4→6
AD3405001	HC300dig 50.0,5	10x14	216 x 272 x 149	187 x 272 x 135	1	0,01	4→6

HC 301

- Multifunctions pump • Microprocessor technology, digital controls and LCD display • Proportional to external digital impulse divider-step down 999 (1:n); multiplier-step up (1xn) • Proportional to external analog signal 0/4-20mA
- Constant adjustment of stroke frequency: Stoke / min. or minimum 1 impulse every 10 minutes • IP 65 Rated
- Supplied standard with low-level control facility • Upon request Level Probe

COD	MOD	HOSE DIAMETER	DIMENSIONS (mm) a x b x c WITH SUPPORT	DIMENSIONS (mm) a x b x c W/OUT SUPPORT	PACKING carton	VOLUME m ³	Kg
AD3100110	HC301 01.10	4 x 6	216 x 272 x 149	187 x 272 x 135	1	0,01	4→6
AD3100209	HC301 02.09	4 x 6	216 x 272 x 149	187 x 272 x 135	1	0,01	4→6
AD3100220	HC301 02.20	4 x 6	216 x 272 x 149	187 x 272 x 135	1	0,01	4→6
AD3100509	HC301 05.09	4 x 6	216 x 272 x 149	187 x 272 x 135	1	0,01	4→6
AD3101004	HC301 10.04	4 x 6	216 x 272 x 149	187 x 272 x 135	1	0,01	4→6
AD3100708	HC301 07.08	4 x 6	216 x 272 x 149	187 x 272 x 135	1	0,01	4→6
AD3101403	HC301 14.03	4 x 6	216 x 272 x 149	187 x 272 x 135	1	0,01	4→6
AD3101505	HC301 15.05	4 x 6	216 x 272 x 149	187 x 272 x 135	1	0,01	4→6
AD3103002	HC301 30.02	10x14	216 x 272 x 149	187 x 272 x 135	1	0,01	4→6
AD3105001	HC301 50.0,5	10x14	216 x 272 x 149	187 x 272 x 135	1	0,01	4→6



CURVES HC3

Pump Type	Flow at max pressure		Flow at average pressure		Flow at 1 bar	
	l/h	bar	l/h	bar	l/h	bar
01-10	1	10	1,7	5	2,2	1
02-09	2	9	3,5	4,5	7	1
02-20	2	20	3,9	10	7,5	1
05-09	5	9	8,4	4,5	9,8	1
10-04	10	4	11	2	14	1
07-08	7	8	9,5	4	10,5	1
14-03	14	3	15	1,5	15,1	1
15-05	15	5	15,5	2,5	16	1
30-02	30	2	33	1,5	37	1
50-0,5	50	0,5	-	-	-	-

NOTE: flow rates obtained testing the pump with medium hardness water at rated pressure, 1,5 m suction lift, room temperature.

aqua HC 3

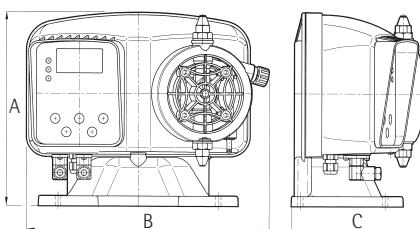
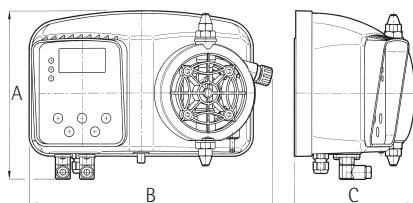
TECHNICAL CHARACTERISTICS

MOD HC300 PH/RX	FLOW RATE	PRESSURE	PUMP HEAD MODEL	CC/STROKE
	l/h	bar		
HC300PH-RX 02.09	2	9	PP 3/8" 2-14	0,27
HC300PH-RX 05.09	5	9	PP 3/8" 2-14	0,69
HC300PH-RX 10.04	10	4	PP 3/8" 2-14	1,38
HC300PH-RX 07.08	7	8	PP 3/8" 2-14	0,97
HC300PH-RX 15.05	15	5	PP 3/8" 15-20	2,08

HC 300 PH-RX

- Dosing pump that can be selected for either proportional pH reading with range from 0÷14 or proportional Redox reading with range +/- 1000mV
- Microprocessor technology, digital controls and display
- IP65 rated
- Supplied standard with low-level control facility
- Upon request Level Probe

COD	MOD	HOSE	DIMENSIONS (mm)		PACKING	VOLUME	Kg
		DIAMETER	a x b x c WITH SUPPORT	a x b x c W/OUT SUPPORT			
AD3500209	HC300PH-RX 02.09	4 x 6	216 x 272 x 149	187 x 272 x 135	1	0,01	4→6
AD3500509	HC300PH-RX 05.09	4 x 6	216 x 272 x 149	187 x 272 x 135	1	0,01	4→6
AD3501004	HC300PH-RX 10.04	4 x 6	216 x 272 x 149	187 x 272 x 135	1	0,01	4→6
AD3500708	HC300PH-RX 07.08	4 x 6	216 x 272 x 149	187 x 272 x 135	1	0,01	4→6
AD3501505	HC300PH-RX 15.05	4 x 6	216 x 272 x 149	187 x 272 x 135	1	0,01	4→6



CURVES HC3

Pump Type	Flow at max pressure		Flow at average pressure		Flow at 1 bar	
	l/h	bar	l/h	bar	l/h	bar
02-09	2	9	3,5	4,5	7	1
05-09	5	9	8,4	4,5	9,8	1
10-04	10	4	11	2	14	1
07-08	7	8	9,5	4	10,5	1
15-05	15	5	15,5	2,5	16	1

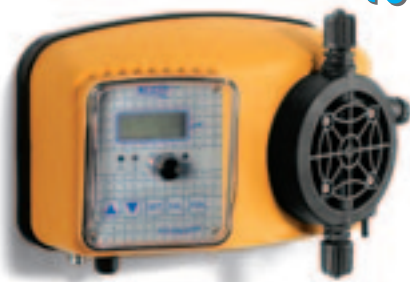
NOTE: flow rates obtained testing the pump with medium hardness water at rated pressure, 1,5 m suction lift, room temperature.



aqua HC3

TECHNICAL CHARACTERISTICS

MOD HC300 CL-P	MOD HC300 CD-P	FLOW RATE l/h	PRESSURE bar	PUMP HEAD MODEL	CC/STROKE
HC300CL-P 02.09	HC300CD-P 02.09	2	9	PP 3/8" 14	0,27
HC300CL-P 05.09	HC300CD-P 05.09	5	9	PP 3/8" 14	0,69
HC300CL-P 10.04	HC300CD-P 10.04	10	4	PP 3/8" 14	1,38
HC300CL-P 07.08	HC300CD-P 07.08	7	8	PP 3/8" 14	0,97
HC300CL-P 15.05	HC300CD-P 15.05	15	5	PP 3/8" 15-20	2,08



HC 300 CL-P

- Dosing pump with integral proportional Free Chlorine (residual) analyser
- Free chlorine range 0÷10 ppm • Microprocessor technology, digital controls and LCD display
- Proportional and ON-OFF mode • Hysteresis regulation
- Provided standard with level control and probe

COD	MOD	HOSE DIAMETER	DIMENSIONS (mm) a x b x c WITH SUPPORT	DIMENSIONS (mm) a x b x c W/OUT SUPPORT	PACKING carton	VOLUME m ³	Kg
AD3600209	HC300CL-P 02.09	4 x 6	216 x 272 x 149	187 x 272 x 135	1	0,01	4→6
AD3600509	HC300CL-P 05.09	4 x 6	216 x 272 x 149	187 x 272 x 135	1	0,01	4→6
AD3601004	HC300CL-P 10.04	4 x 6	216 x 272 x 149	187 x 272 x 135	1	0,01	4→6
AD3600708	HC300CL-P 07.08	4 x 6	216 x 272 x 149	187 x 272 x 135	1	0,01	4→6
AD3601505	HC300CL-P 15.05	4 x 6	216 x 272 x 149	187 x 272 x 135	1	0,01	4→6



HC 300 CD-P

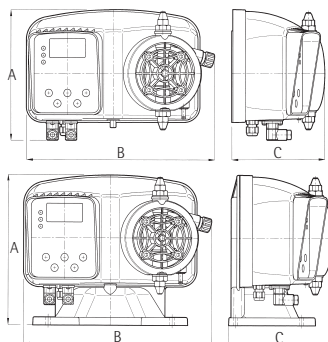
- Dosing pump with integral proportional Conductivity meter • Conductivity range: 0 ÷ 10 mS
- Microprocessor technology, digital controls and LCD display
- Proportional and ON-OFF mode • Hysteresis regulation
- Provided standard with level control and probe

COD	MOD	HOSE DIAMETER	DIMENSIONS (mm) a x b x c WITH SUPPORT	DIMENSIONS (mm) a x b x c W/OUT SUPPORT	PACKING carton	VOLUME m ³	Kg
AD3700209	HC300CD-P 02.09	4 x 6	216 x 272 x 149	187 x 272 x 135	1	0,01	4→6
AD3700509	HC300CD-P 05.09	4 x 6	216 x 272 x 149	187 x 272 x 135	1	0,01	4→6
AD3700104	HC300CD-P 10.04	4 x 6	216 x 272 x 149	187 x 272 x 135	1	0,01	4→6
AD3700708	HC300CD-P 07.08	4 x 6	216 x 272 x 149	187 x 272 x 135	1	0,01	4→6
AD3701505	HC300CD-P 15.05	4 x 6	216 x 272 x 149	187 x 272 x 135	1	0,01	4→6

CURVES HC3

Pompa tipo	Flow at max pressure		Flow at average pressure		Flow at 1 bar	
	l/h	bar	l/h	bar	l/h	bar
02-09	2	9	3,5	4,5	7	1
05-09	5	9	8,4	4,5	9,8	1
10-04	10	4	11	2	14	1
07-08	7	8	9,5	4	10,5	1
15-05	15	5	15,5	2,5	16	1

NOTE: flow rates obtained testing the pump with medium hardness water at rated pressure, 1,5 m suction lift, room temperature.



Extra cost for connections for level control and probe

Extra cost for double ball check valve

Extra cost for spring loaded ball check valves with hastelloy

Extra cost for electric plug

Extra cost for level control and probe

Extra cost for 12-24 Vdc voltage

Extra cost for 24 Vac voltage

Extra 10% from standard price list for 115 Vac 50-60Hz

Extra costs for extractable electrical connector

Extra cost for pump head in AISI 316

Extra cost for pump head in PVC

Extra cost for pump head in PTFE

Extra cost for pump head in PVDF

All our models are manufactured and in compliance to EEC regulations. All pumps are provided standard in 230Vac 50/60Hz format. Upon request available different mains.



A-SIM

Hydropneumatic accumulator, connection 3/8" max 6 litres.

COD	MOD	
ADSIM	A-SIM	



A-STF2

Wall mounting for dosing pump series HC2

COD	MOD	
ADSTF200	A-STF2	



A-BASE3

Foot mounting for dosing pump series HC3

COD	MOD	
ADBAS300	A-BS3	



A-ST

Temperature probes PT100
Range 0-100° C
Connection 1/2"
AISI electrodes
PVC or PTFE fitting

COD	MOD	CONNECTION	
ADSTT100	A-ST1	PTFE	
ADSTP200	A-ST2	PVC	



A-PSV

Off-line holder for 2 electrodes

COD	MOD	
ADPSD	A-PSV	



A-PSL

In-line electrode, PP, connection 1/2"

COD	MOD	
ADPST	A-PSL	