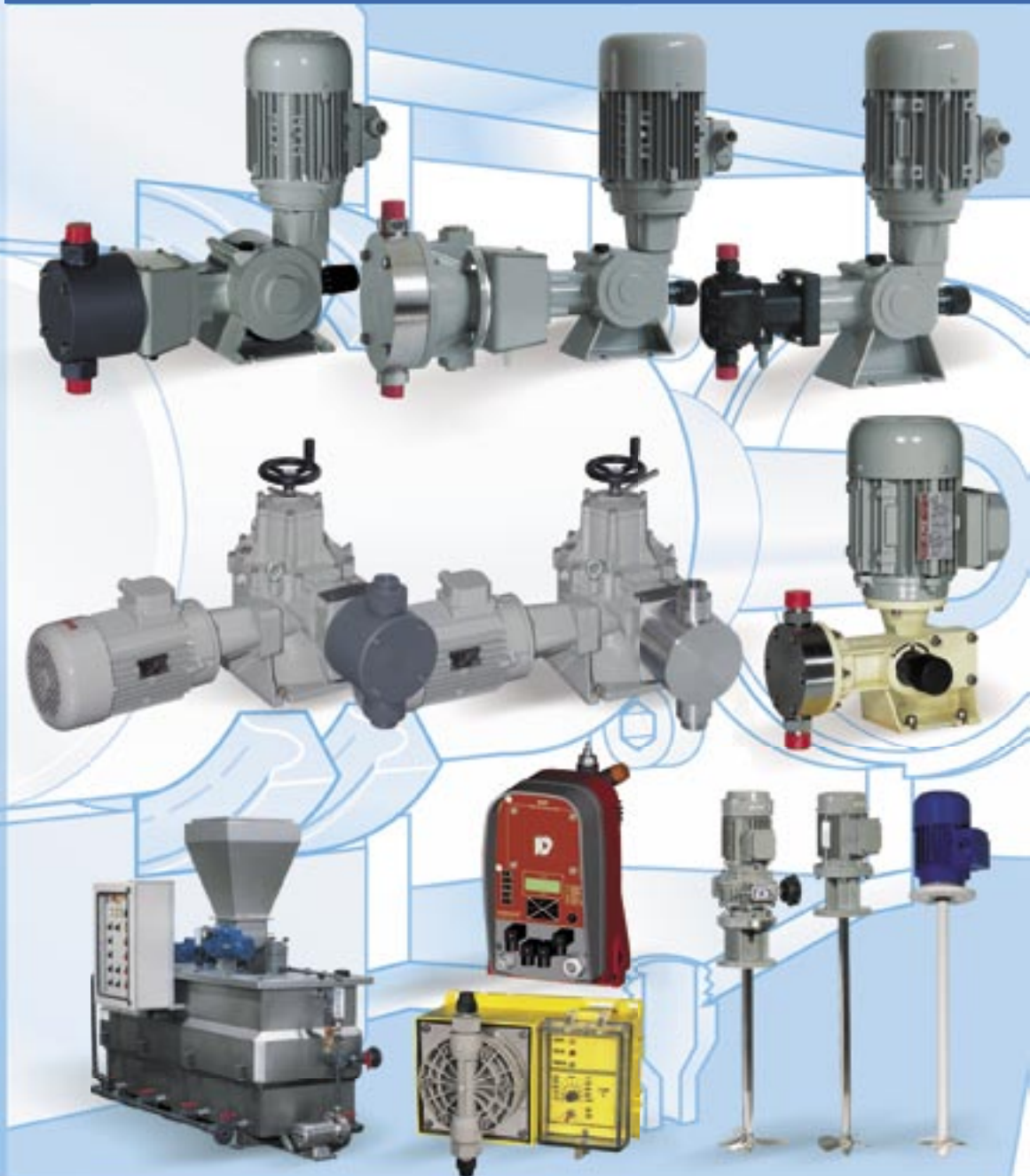


# General catalogue

## Metering pumps



# DOSEURO®

*The right dosing choice*



# We make fluid

## The company

Doseuro is a combination of two capabilities, the first is a technical expertise gained from many years of experience in the chemical dosing field. The second is a commercial understanding of the changes in this field and a sensitivity beyond the requirements of our customers. These two factors are supported by a strong company structure that responds to our customers demands.

The continuous research and principal effort directed to the customer satisfaction are the fundamental reasons of Doseuro success, which is widely confirmed by the thousand worldwide plants working with our pumps.



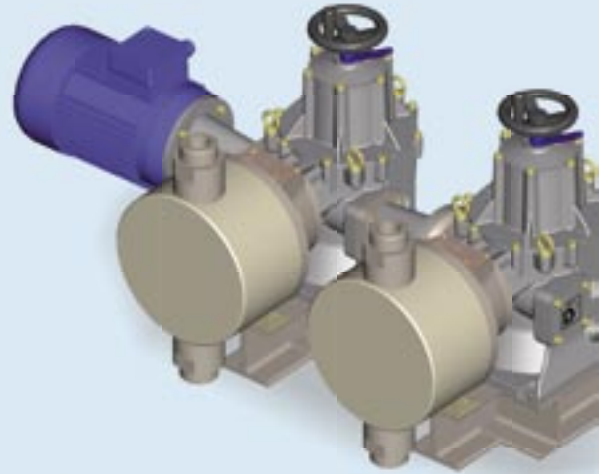
## The product

What makes Doseuro pumps unique?

It's the competitive price-quality always aligned with the customer expectations. Each of our products speaks for itself.

High reliability is achieved by constant product development, updating production techniques, constant quality control and rigorous testing at all stages of production. Every model of dosing pump has been carefully designed, built and tested to ensure a long and useful life.

If this alone is not sufficient, then please go further and ask us about our prices.



# world to move.



## A view over the production range

Doseuro chemical dosing pumps are available in three main versions. Piston pumps with packed plungers, piston/hydraulic diaphragms or mechanical diaphragms. Even high pressure pump heads are available, if requested. The range also includes various driving methods, such as electric motor or electromagnetic solenoid operation. The company also manufactures complete dosing packages, electric mixers, and fully automatic plants for the dissolution and mixing of polyelectrolyte chemicals.

The most common fields of application for Doseuro chemical dosing pumps include:

- FOOD PRODUCTION
- PAPER INDUSTRY
- CHEMICALS AND DYESTUFFS
- TANNING
- ENVIRONMENTAL CONTROL, WATER AND EFFLUENT TREATMENT
- PHARMACEUTICALS AND TEXTILES
- HORTICULTURAL APPLICATIONS
- RUBBER AND PLASTICS
- LAUNDRIES AND WASHING COMPONENT
- IRON, STEEL, COAL AND CONSTRUCTION
- NAVAL AND CIVILIAN MARINE
- MANY ENGINEERING PROJECTS



## Main features

All Doseuro pumps are fitted as standard with top quality 4 pole electric motors that conform to the UNEL-MEC specifications, and range from 0.09-4.0 kW at European standard 3 phase voltages of 230/400V @ 50Hz. Non standard motors are available to many alternative specifications, including different voltages and frequencies, insulation standards, and special explosion-proof versions. The dosing rate is fully adjustable via a manually controlled eccentric cam mechanism with spring return, or positive displacement plunger according to API standard 675. Automatic adjustment is available by means of servo-control motors, pneumatic control or motor frequency control, interface PROFIBUS or other BUS, if required. The very strong gearbox utilises a worm and wheel gear reduction system.

Our pumps are complemented by a wide range of accessories which include, foot valve/strainers, pressure relief and loading valves, injection fittings and pulsation dampers. Special versions of construction are available to suit our clients specific applications.





# PDP series Type A-I

## Positive displacement dosing pump

PDP series positive displacement plunger dosing pump are manufactured according to API standard 675.

Multiplex drive units with different performances can be coupled between them, independently from the size and stroke number.

Stroke adjustment: can be carried with the pump at rest or in operation.

Accuracy is better than 1% from 10 to 100% of maximum output.

Lower NPSH requires with normal operating conditions in function of the head type.

Pump heads are made in standard execution: S.S. 316 or PVC.

A wide range of other materials like HASTELLOY, ALLOY, PTFE, PVDF, PP are according to the liquid to be dosed.

Piston gaskets are of the lip type design and are available in a wide range of materials (FPM, EPDM, SILICONE, ADIPRENE).

Liquid handled maximum temperature

- 90°C with S.S. 316 pump heads.
- 40°C with PVC pump heads.

Plungers are made in S.S. 316 or Ceramics.

Suction and discharge connections are normally threaded but they can be also supplied flanged.

All the pumps have a ball valve standard and on the smaller plunger are installed double check valves to improve precision.

Stroke adjustment can be carried out:

- Manual: by a linear micrometer screw.
- Electrical: by servo motor with 4-20 mA signal or upon request interface PROFIBUS or other BUS
- Pneumatic: by pneumatic servo control with signal from 3 to 15 PSI.



### Max flow rate L/h

|         |      |
|---------|------|
| A-I 250 | 1645 |
| A-I 350 | 3800 |

### FITTINGS

- Relief valves and back pressure valves
- Safety relief valve
- Injection valve
- Fout valve
- Hydropneumatic accumulators

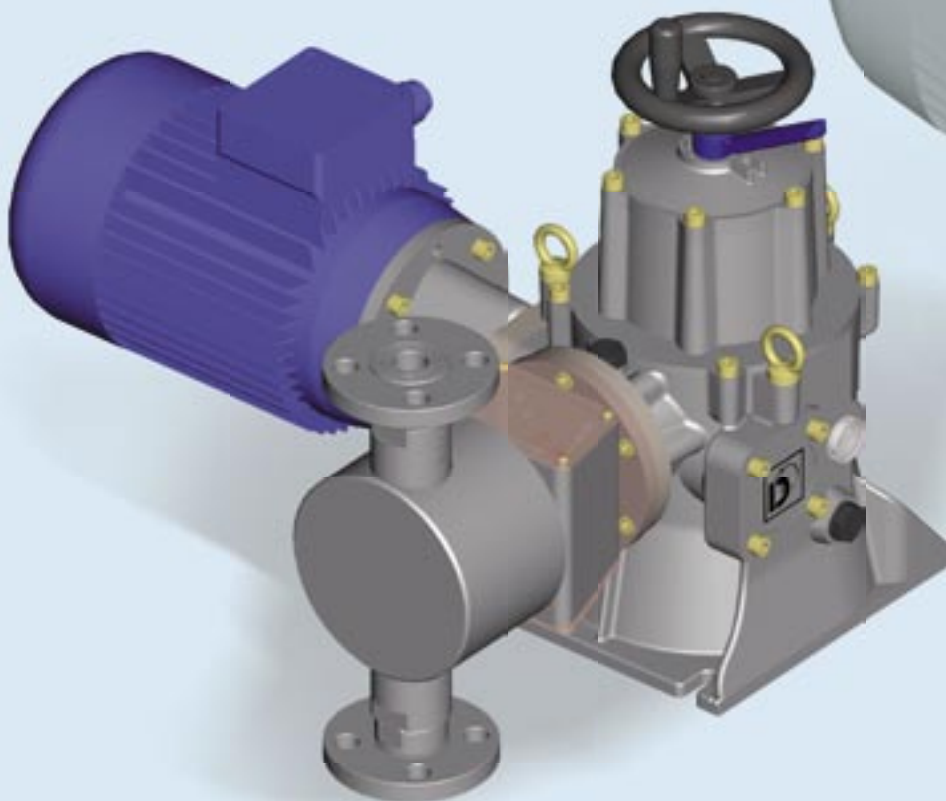


# PDP series Type AP-A I

## High pressure positive displacement dosing pump

High pressure execution pumps use the same crank mechanism of the pumps "AI" type, but the difference is on the hydraulic part that must be suitable to satisfy very specific requirements.

The best performance for the applications is achieved by optimal section of plunger material and seal design.



### Max flow rate L/h

AP-A-I 250 **164**

AP-A-I 350 **470**

### FITTINGS

- Relief valves and back pressure valves
- Safety relief valve
- Injection valve
- Fout valve
- Hydropneumatic accumulators



# SR series Type A

## Spring return piston metering pump

Manually adjustable output with spring return.

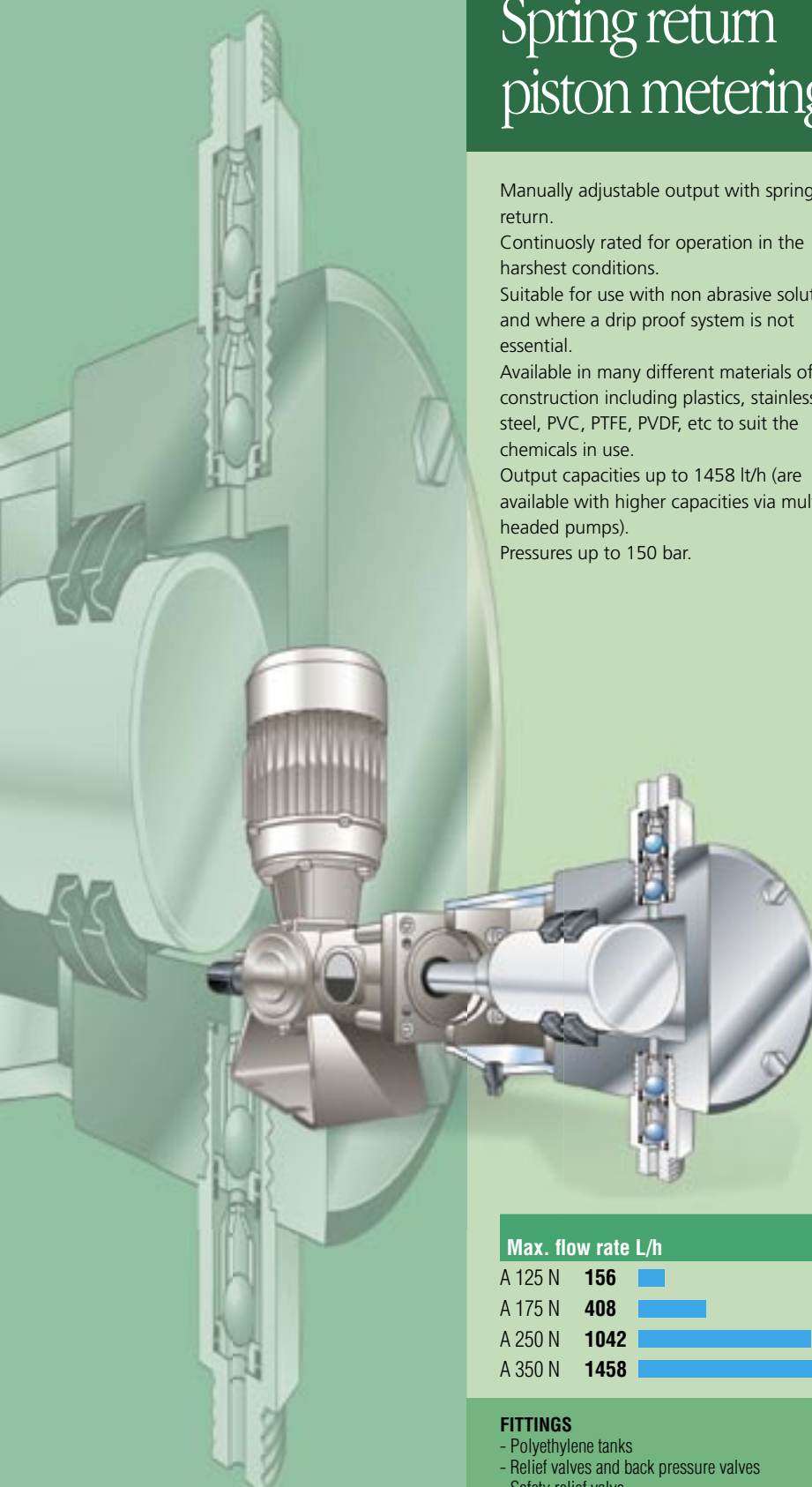
Continuously rated for operation in the harshest conditions.

Suitable for use with non abrasive solutions and where a drip proof system is not essential.

Available in many different materials of construction including plastics, stainless steel, PVC, PTFE, PVDF, etc to suit the chemicals in use.

Output capacities up to 1458 lt/h (are available with higher capacities via multiple headed pumps).

Pressures up to 150 bar.

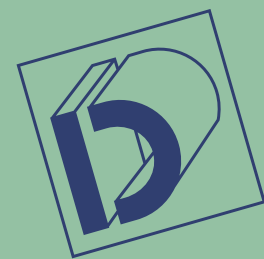


### Max. flow rate L/h

|         |      |                                 |
|---------|------|---------------------------------|
| A 125 N | 156  | <div style="width: 10%;"></div> |
| A 175 N | 408  | <div style="width: 25%;"></div> |
| A 250 N | 1042 | <div style="width: 65%;"></div> |
| A 350 N | 1458 | <div style="width: 90%;"></div> |

### FITTINGS

- Polyethylene tanks
- Relief valves and back pressure valves
- Safety relief valve
- Injection valve
- Fout valve
- Hydro pneumatic accumulators



# SR series

## Type B and BR

### Spring return piston/hydraulic diaphragm dosing pump



**B 125**



**B 175**

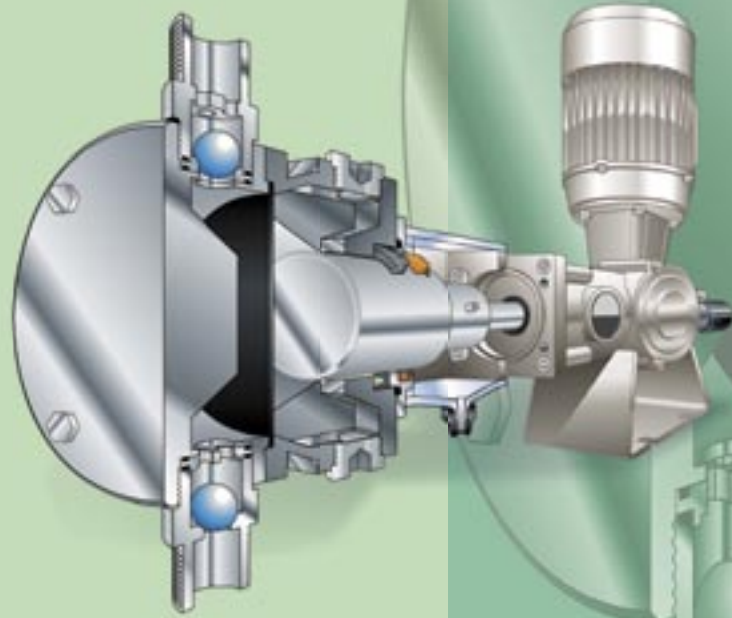


**B 250**



**BR 125**

Manually adjustable output with spring return.  
Suitable for use with abrasive liquids with small amounts of solids in suspension, and for all drip proof/air tight applications. Available in many different materials of construction including plastics, stainless steel, PVC, PTFE, PVDF, etc. to suit the chemicals in use.  
Output capacities up to 1068 lt/h (are available with higher capacities via multiple head pumps).  
Pressures up to 50 bar.  
BR series are equipped with a hydraulic oil reservoir which automatically maintains the correct hydraulic reservoir levels.



#### Max. flow rate L/h

|          |      |
|----------|------|
| B-BR125N | 108  |
| B-BR177N | 418  |
| B-BR250N | 1068 |

#### FITTINGS

- Polyethylene tanks
- Relief valves and back pressure valves
- Safety relief valve
- Injection valve
- Foot valve
- Hydropneumatic accumulators



# SR series Type D

## Spring return mechanical diaphragm dosing pump

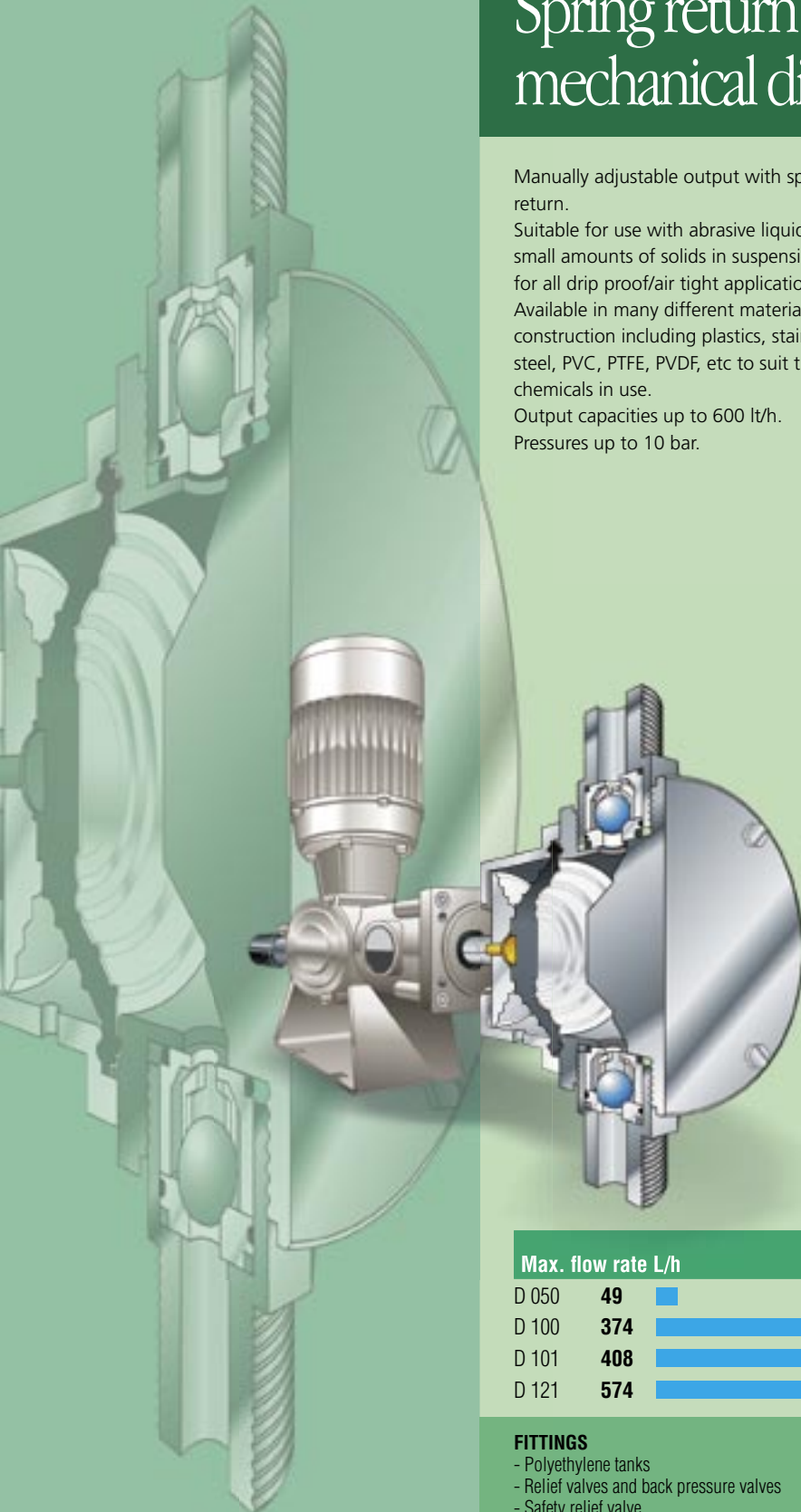
Manually adjustable output with spring return.

Suitable for use with abrasive liquids with small amounts of solids in suspension, and for all drip proof/air tight applications.

Available in many different materials of construction including plastics, stainless steel, PVC, PTFE, PVDF, etc to suit the chemicals in use.

Output capacities up to 600 lt/h.

Pressures up to 10 bar.



**D 050**



**D 100**



**D 101**



**D 121**

### Max. flow rate L/h

|       |            |  |
|-------|------------|--|
| D 050 | <b>49</b>  |  |
| D 100 | <b>374</b> |  |
| D 101 | <b>408</b> |  |
| D 121 | <b>574</b> |  |

### FITTINGS

- Polyethylene tanks
- Relief valves and back pressure valves
- Safety relief valve
- Injection valve
- Fout valve
- Hydropneumatic accumulators





# SR series

## Type FM

Spring return  
mechanical diaphragm dosing pump



FM 50 30



FM 50 50



FM 50 50

Manually adjustable output with spring return.

Suitable for use with abrasive liquids with small amounts of solids in suspension, and for all drip proof/air tight applications.

Available in many different materials of construction including plastics, stainless steel, PVC, PTFE, PVDF, etc to suit the chemicals in use.

Output capacities up to 50 lt/h.

Pressures up to 10 bar.



#### Max. flow rate L/h

FM 050-30 **14**

FM 050-50 **47**

#### FITTINGS

- Polyethylene tanks
- Relief valves and back pressure valves
- Safety relief valve
- Injection valve
- Foot valve
- Hydropneumatic accumulators



# SDP series Type GA

## Solenoid dosing pump

High tech dosing pumps specifically designed to sell at low price, featuring:  
ABS chemical resistant enclosure.  
Clear polycarbonate to protect the controls.

Hydraulic and electronic compartments separate the pump head from its control.  
Optional low level pump protection circuit available.



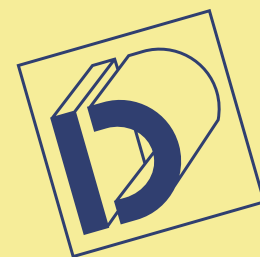
Max flow rate - L/h

GA 8

### FITTINGS

- Polyethylene tanks
- Relief valves and back pressure valves
- Safety relief valve
- Injection valve
- Foot valve
- Hydropneumatic accumulators

**DOSEURO**



# SDP series Type S

## Solenoid dosing pump

The SDP family of solenoid metering pumps is the true complement to the well known and wide range of Doseuro pumps that provides an alternative solution in lower rates application field where end users look forward reliable results and simple operation.

Use of integrated microprocessor and related flexibility makes the SDP family extremely complete and suitable in many different cases of constant and proportional dosage with a bounded number of models.



Max flow rate - L/h

S\_\_ 22

### FITTINGS

- Polyethylene tanks
- Relief valves and back pressure valves
- Safety relief valve
- Injection valve
- Foot valve
- Hydropneumatic accumulators



# H series

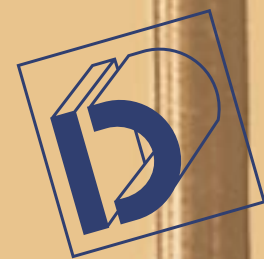
## Type HA - HB

Automatic plants for dissolution and preparation of powder polyelectrolytes

These plants produce from 300 to 5000 lt/h of fully polyelectrolyte solution at constant solution strength from powder stock. Their compact design in Stainless steel AISI 304 includes all necessary controls for water make up and powder feed and incorporates the following equipment and features:

Dissolution, dilution and ageing tanks.  
Powder and water feed rate controls.  
All mixers.  
Control panel, fitted and fully interwired.  
Polyelectrolyte chemical dosing pumps.





# EM series

## Type DMT, DEM, DRV and DRC

Electric mixers for chemical mixing

### Type DMT and type DMM

High speed mixers directly coupled to the motor, for small tanks up to 1000 litres capacity, with polypropylene protected shaft and propeller.

### Type DEM

High speed mixers, directly coupled to the motor, but with lantern ring, bearings and protective seals.

### Type DRV

Slow speed mixers for light applications, with close coupled worm/gear reduction gear box.

### Type DRC

Heavy duty slow speed mixers with directly coupled motors via a lantern ring, outrigger bearings and protective seals.

DMT



DEM



DRV



DRC





# Accessories



Safety relief valve

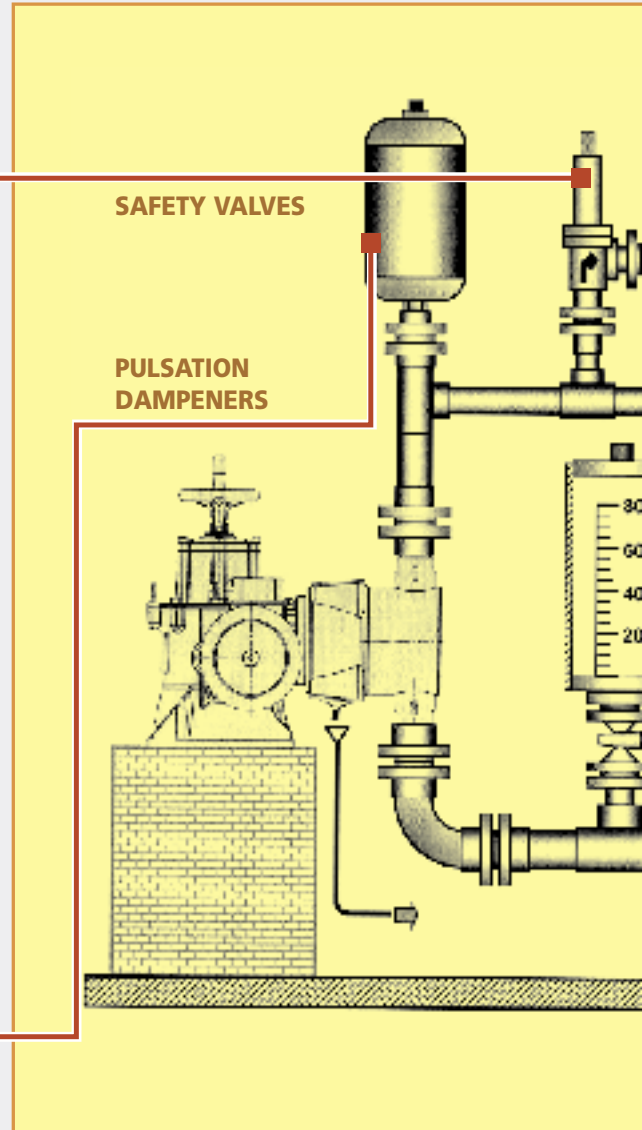


Pulsation dampeners

Type: HSTX  
Body in S.S.316, composed by two parts assembled together by means of a special hosing that, under dynamic pressures, tends to close itself.  
Diaphragms to suit the chemicals in use. Built accordingly to the ASME VIII° Div. 1 rules.

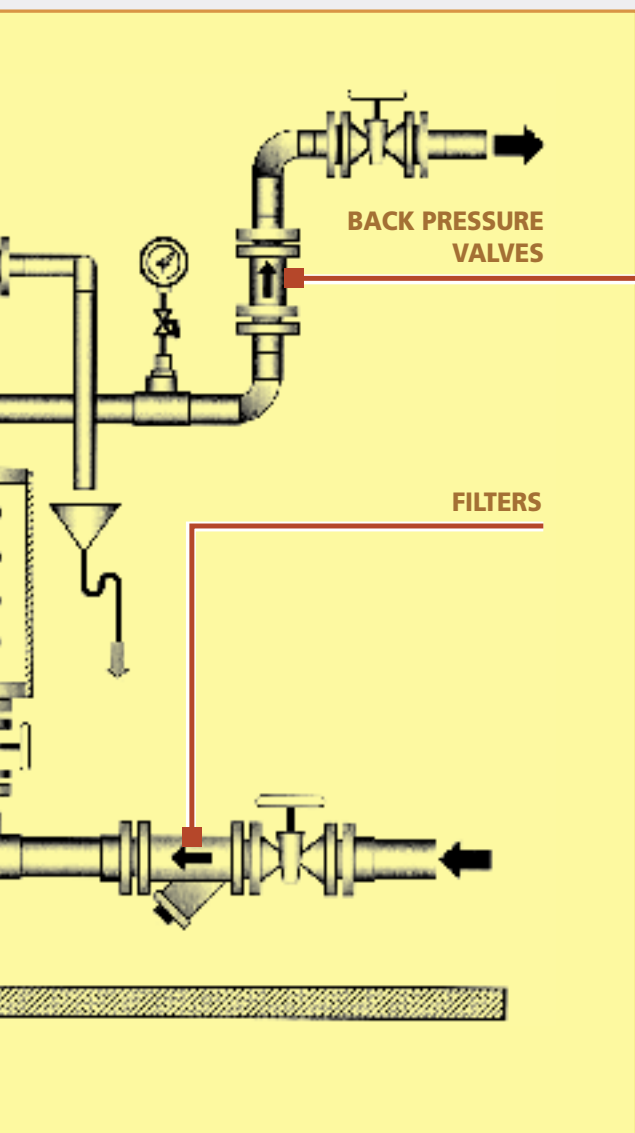


Type: HSTPVC  
Body in PVC, composed by two parts assembled together by means of a special hosing that, under dynamic pressures, tends to close itself.  
Maximum temperature: + 50 °C.  
Diaphragms to suit the chemicals in use.



SAFETY VALVES

PULSATION DAMPENERS



Relief valves and back pressure valves



Polyethylene tanks suitable to be fitted with metering pump on its top



# The right dosing choice



#### HEAD OFFICE

Via G. Carducci 141  
20093 Cologno Monzese (MI) Italy  
Tel.: +39 02 27301324  
Fax: +39 02 26700883  
e-mail: [info@doseuro.com](mailto:info@doseuro.com)  
[www.doseuro.com](http://www.doseuro.com)

#### DOSEURO (UK) LTD.

Unit 8, East Road Industrial Estate  
Sleaford, Lincolnshire NG34 7EH  
Tel.: +44 1529 300045  
Fax: +44 1529 410967  
e-mail: [info@doseuro.co.uk](mailto:info@doseuro.co.uk)  
[www.doseuro.co.uk](http://www.doseuro.co.uk)



# DOSEURO®

*The right dosing choice*