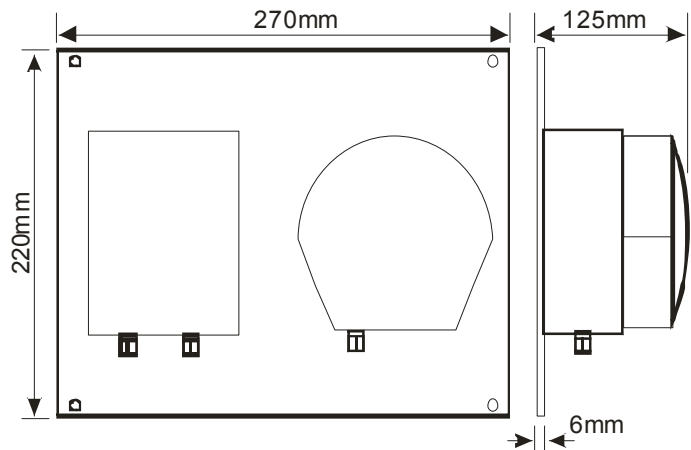
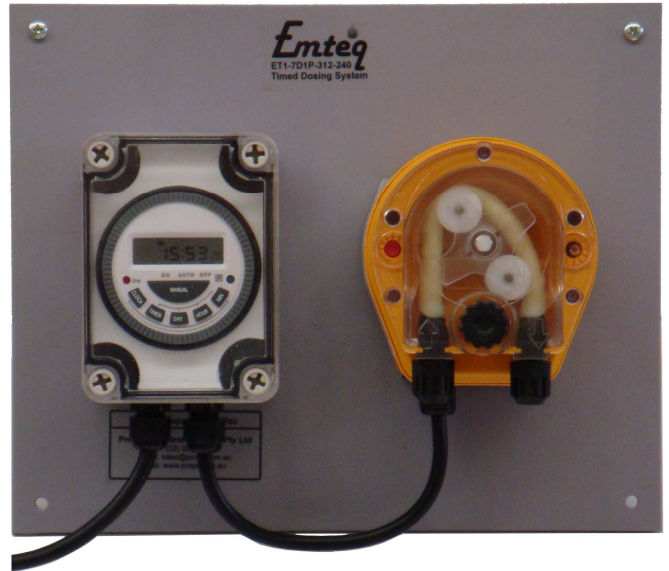


E-T1-7D1P Dosing System

With 7 Day Programmable Timer



- ◆ With peristaltic pumps and solenoid pumps.
- ◆ Flow rates from 0.1 l/hr to 6 l/hr.
- ◆ Pressures up to 12 Bar.
- ◆ IP-65 Protection.
- ◆ Clear or opaque (grey) cover.
- ◆ Includes pump accessories and mounting kit.
- ◆ Built-in quartz controlled timer.
- ◆ User-friendly keyboard.
- ◆ Large and easily readable LCD display.
- ◆ Time display 24 h or AM/PM.
- ◆ 16 memory slots (8x ON, 8x OFF) allocatable over the week.
- ◆ Integral lithium battery protects programme for 5 years.
- ◆ Minimum switching interval 1 min.
- ◆ Separate mode selector switch for ON/AUTOMATIC/OFF and TIME SET/OPERATION/PROGRAMMING.
- ◆ Block formation of weekdays possible.



Specifications:

Power Supply: 240 Vac, 50 Hz
12 Vdc, 24 Vdc.

Protection: IP-65

Pump Model	Flow/Pressure	Control	Type
PER-RS 01.03	1 l/hr/3 Bar	Fixed Speed	Peristaltic
PER-RS 1,5.01	1.5 l/hr/1 Bar	Fixed Speed	Peristaltic
PER-RS 03.01	3 l/hr/1 Bar	Fixed Speed	Peristaltic
PER-R 01.03	1 l/hr/3 Bar	0-100%	Peristaltic
PER-R 04.01	4 l/hr/1 Bar	0-100%	Peristaltic
PER-R 06.01	6 l/hr/1 Bar	0-100%	Peristaltic
HC-897-1	2 l/hr/8 Bar	0-100%	Solenoid
HC-897-2	7 l/hr/4 Bar	0-100%	Solenoid
HC-897-3	3 l/hr/12 Bar	0-100%	Solenoid
HC-897-4	10 l/hr/4 Bar	0-100%	Solenoid

Process Control Services Pty Ltd A.B.N. 22 054 111 018

Phone: Brisbane – (07) 3299 7881, Melbourne - (03) 9859 0157, Sydney – (02) 9319 1808

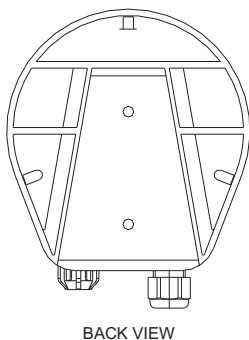
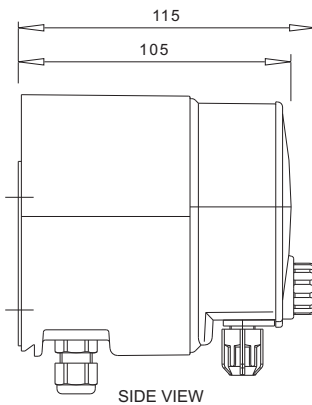
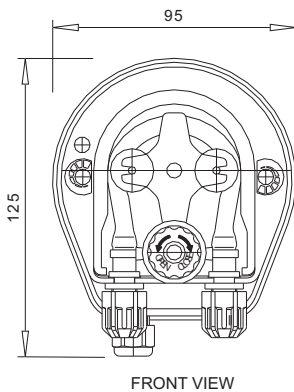
Fax: Brisbane – (07) 3299 6134, Melbourne - (03) 9005 2775, Sydney – (02) 9319 2786

eMail: sales@pcspl.com.au, Web: pcspl.com.au

PER Series Peristaltic Pumps



DOSING SYSTEMS



AQUA PER Series Peristaltic Pump is a reliable low cost solution, for light duty, chemical dosing applications.

Its compact size, and simple installation procedure (complete with wall mounting bracket) makes a versatile pump for installation which is also good in confined spaces. With IP65 rating, the AQUA PER Series Peristaltic Pump can be installed in outdoor applications.

The AQUA PER Series Peristaltic Pump is available in fixed speed and (0/100%) adjustable speed versions.

Utilizing an innovative front cover design there are a number of advantages from the standard peristaltic pumps currently available on the market:

- ◆ Front cover is locked in position with hand knob.
- ◆ When front cover is removed squeeze tube can be easily removed by hand. Due to the design of the front cover, the removal of the squeeze tube will not require the rotor to be rotated, (placing no stress on gearbox axle).
- ◆ Greater structural strength add durability as the rotor drive shaft is supported both above and below the rotor.

The AQUA PER Series Peristaltic Pumps come complete with water treatment installation kit consisting of:

- ◆ PP injection nozzle with Viton non-return sleeve valve (3/8" BSP).
- ◆ PP weighted foot filter with Viton Lip Valve.
- ◆ Sturdy wall mounting bracket with screws & plug.
- ◆ 2m of 4/6mm PVC suction tubing.
- ◆ 2m of 4/6mm PE rigid discharge tubing.

General Specification

Power Supply: 230VAC 50Hz (12 & 24VDC available)

Dimension: 125(h)x95(w)x115(d)

Connectors: Polypropylene

Cover: Polycarbonate

Housing: Polypropylene

Enclosure: IP65

Squeeze Tube: Santoprene or Tygon

MODEL	FLOW (l/hr)	PRES. (bar)	Control	Tube Material	Power Supply
PER-RS 01.03	1	3	Fixed	Tygon	240VAC
PER-RS 1,5.01	1.5	1	Fixed	Santoprene	240VAC
PER-RS 03.01	3	1	Fixed	Santoprene	240VAC
PER-R 01.03	1	3	0-100%	Tygon	240VAC
PER-R 04.01	4	1	0-100%	Santoprene	240VAC
PER-R 06.01	5	1	0-100%	Santoprene	240VAC
PER-RSdc 04.01	4	1	Fixed	Santoprene	24VDC
PER-RSdc 06.01	6	1	Fixed	Santoprene	24VDC

Process Control Services Pty Ltd, ABN 22 054 111 018

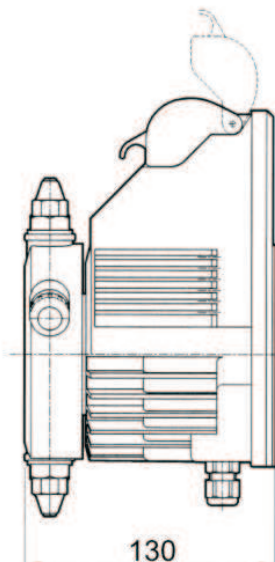
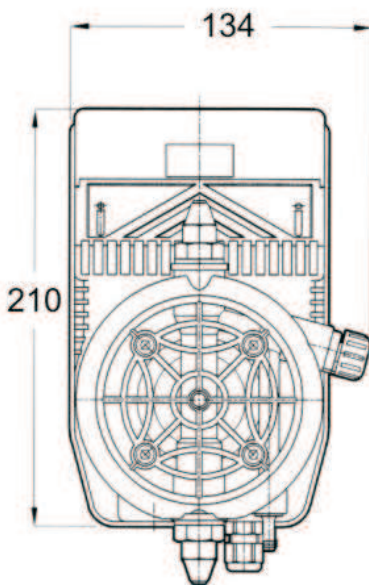
Ph (02) 9319 1808, Fx (02) 9319 2786

eMail sales@pcspl.com.au, Web www.pcspl.com.au

HC100 Series Solenoid Pumps



DOSING SYSTEMS



AQUA HC100 Series Solenoid Pump is a reliable low cost solution for continuous chemical dosing applications.

Its compact size, and simple installation procedure (complete with wall mounting bracket) makes a versatile pump for installation which is also good in confined spaces. With IP65 rating, the AQUA HC100 Series Solenoid Pump can be installed in outdoor applications.

The AQUA HC100 flow rate is adjustable via a stroke frequency knob. The pump will accurately dose according to the selected frequency. A selector switch will change the adjustment range from 0-100% to 0-20% to provide a double scale adjustment for good adjustment over a wide range of flow rates

The HC100 is supplied with a complete accessory kit and lots of features :

- ◆ Reinforced PP Housing.
- ◆ 2 LED Display Status.
- ◆ On/Off power switch.
- ◆ Analogue controls.
- ◆ Dual scale pulse reduction: 0-100% and 0-20%.
- ◆ Air bleed for easy priming.

The AQUA HC100 Series Solenoid Pumps come complete with installation kit consisting of:

- ◆ PP injection nozzle with Viton non-return sleeve valve (3/8" BSP).
- ◆ PP weighted foot filter with Viton Lip Valve.
- ◆ Sturdy wall mounting bracket with screws & plug.
- ◆ 2m of 4/6mm PVC suction tubing.
- ◆ 2m of 4/6mm PE rigid discharge tubing.

General Specification

Power Supply: 230VAC 50Hz (12 & 24VDC available)
 Dimension: 125(h)x95(w)x115(d)
 Connectors: Polypropylene
 Cover: Polycarbonate
 Housing: Polypropylene
 Enclosure: IP65
 Squeeze Tube: PTFE (solid)

MODEL	FLOW (l/hr)	PRES. (bar)	Control	Power Supply
HC100 01.08	1	8	0-20/100%	240VAC
HC100 02.10	2	10	0-20/100%	240VAC
HC100 04.08	4	8	0-20/100%	240VAC
HC100 05.07	5	7	0-20/100%	240VAC
HC100 06.02	7	2	0-20/100%	240VAC

Process Control Services Pty Ltd, ABN 22 054 111 018

Ph (02) 9319 1808, Fx (02) 9319 2786

eMail sales@pcspl.com.au, Web www.pcspl.com.au