

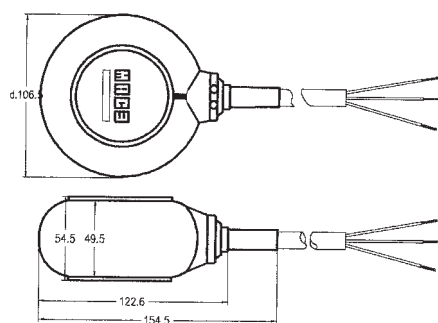
# Mac 3

## Electromechanical level regulator

The MAC3 level regulator is a float switch which allows electrical equipment to start and stop automatically (usually pumps, but also electric control valves, alarms, etc.) when a prefixed level has been reached. The most essential characteristic of this product is its high reliability and its shape which has no edges, for which it is particularly suitable for sewage water.

Also of great interest is the fact that it is made with a double liquid proof chamber which assures the maximum reliability of the inside mechanism. The minimum working distance between the Mac3 level regulator and the fixing point is 20 cm.

Type	M04-10	M10-VD-2	M8-10	M8-10-T
Output cable	PVC3X1	H07RN-F 3G1	PVC3x1	H07RN-F 3G1
Cable diameter	9 ± 0,3 mm	9 ± 0,3 mm	9 ± 0,3 mm	9 ± 0,3 mm
Code	MPM0006GB0	MHM0006WG0	FPM0006XB0	FHN0006BG0
Output cable	A07RN-F 3X1	H07RN-F 4G1	A07RN-F 3X1	H07RN-F 4G1
Cable diameter	9 ± 0,3 mm	10 mm nominal value	9 ± 0,3 mm	10 mm nominal value
Code	MGM0006G0	MZM0006WG0	FGM0006XB0	FZM0006BG0
<b>Features</b>				
Microswitch electrical features	16(4)A 250V ~	16(4)A 250V ~	21(8)A 250V ~	21(8)A 250V ~
Approval certificates	ENEC/CE	ENEC/CE	ENEC/CE	ENEC/CE
External marking	10(4)A 250V ~	10(4)A 250V ~	10(8)A 250V ~	10(8)A 250V ~
Operating temp.	0° ÷ + 50° C	0° ÷ + 50° C	0° ÷ + 50° C	0° ÷ + 50° C
Storage temperature	-20°C ÷ + 80° C	-20°C ÷ + 80° C	-20°C ÷ + 80° C	-20°C ÷ + 80° C
Pollution Index	IP68	IP68	IP68	IP68
Switch angle	± 45°	± 45°	± 45°	± 45°
Dimensions	mm 106 x 154 x54	mm 106 x 154 x54	mm 106 x 154 x54	mm 106 x 154 x54
Weight	gr. 250	gr. 265	gr. 250	gr. 265
Volume	cm <sup>3</sup> 430	cm <sup>3</sup> 430	cm <sup>3</sup> 430	cm <sup>3</sup> 430
Specific weight	0,581	0,616	0,581	0,616
Buoyancy	gr. 180	gr. 165	gr. 180	gr. 165
Max depth level	1BAR	1BAR	1BAR	1BAR
Housing	Non-toxic polypropylene (PP)	Non-toxic polypropylene (PP)	Non-toxic polypropylene (PP)	Non-toxic polypropylene (PP)
Colouring	Non-toxic	Non-toxic	Non-toxic	Non-toxic
Function class	II	I	II	I
Wiring (pag. 14)	fig.1-2	H07RN-F-3G1 fig. 3-4 H07RN-F-4G1 fig. 7-8	fig.1-2	H07RN-F-3G1 fig. 3-4 H07RN-F-4G1 fig. 7-8
note	Also available with H07RN - F 2x1 cable In this case please specify if needed for filling or emptying function	Also available with H07RN - F 3G1 OIL RESISTANT cable. When ordering with 3G1 cable please specify if needed for filling or emptying function.	Also available with H07RN - F 2x1 cable In this case please specify if needed for filling or emptying function	Also available with H07RN - F 3G1 OIL RESISTANT cable. When ordering with 3G1 cable please specify if needed for filling or emptying function.



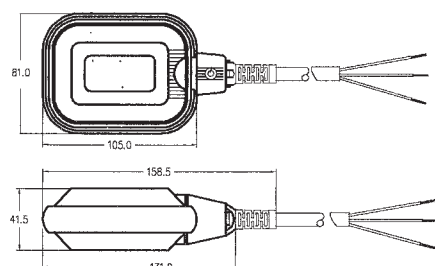
**Electromechanical level regulator**

The Key level regulator is a float switch which allows electrical equipment to start and stop automatically (usually pumps, but also electric control valves, alarms, etc.) when a prefixed level has been reached. It is highly reliable thanks to a multiple closure device on the fairlead.

This is the most universally used float switch in the world for the automation of pumps and is used directly by pump producers. The models with cable 3X1 or cable 4G1 can be used for the filling or emptying function according to the cables that have been connected.

The models with 3G1 cable (with ground) or UL cable are set for one function only, and that is for filling or emptying.

The minimum working distance between the Key level regulator and the fixing point is 20 cm.



Type	K04-10	K08-10	O2T	K06-10-400
Output cable	PVC 3X1	PVC 3X1	H07RN-F 3G1	H07RN-F 3G1
Cable diameter	9 ± 0,3 mm	9 ± 0,3 mm	9 ± 0,3 mm	9 ± 0,3 mm
Code	KPM0006KY0	HPM0006HY0	KVM00065Y0	HVM0006LY0
Output cable	A07RN-F 3X1	A07RN-F 3X1	H07RN-F 4G1	H07RN-F 4G1
Cable diameter	9 ± 0,3 mm	9 ± 0,3 mm	10 mm nominal value	10 mm nominal value
Code	KGM0006KY0	HGM0006HY0	KZM00065Y0	HZM0006LY0
<b>Features</b>				
Microswitch electrical features	16(4)A 250V ~	21(8)A 250V~	16(4)A 250V ~	21(8)A 250V~
Approval certificates	ENEC/CE	ENEC/CE	ENEC/CE	ENEC/CE
External marking	10(4)A 250V~	10(8)A 250V~	10(4)A 250V ~	10(8)A 250V~
Operating temperature	0° ÷ + 50° C	0° ÷ + 50° C	0° ÷ + 50° C	0° ÷ + 50° C
Storage temperature	-20°C ÷ + 80° C	-20°C ÷ + 80° C	-20°C ÷ + 80° C	-20°C ÷ + 80° C
Pollution Index	IP68	IP68	IP68	IP68
Switch angle	± 45°	± 45°	± 45°	± 45°
Dimensions	mm 81x131x41.5	mm 81x131x41.5	mm 81x131x41.5	mm 81x131x41.5
Weight	gr.157	gr.157	gr. 163	gr. 163
Volume	cm³ 280	cm³ 280	cm³ 280	cm³ 280
Specific weight	0,561	0,561	0,582	0,582
Buoyancy	gr.123	gr.123	gr.117	gr.117
Max depth level	1BAR	1BAR	1BAR	1BAR
Housing	Non-toxic polypropylene (PP)	Non-toxic polypropylene (PP)	Non-toxic polypropylene (PP)	Non-toxic polypropylene (PP)
Colouring	Non-toxic	Non-toxic	Non-toxic	Non-toxic
Function class	II	II	I	I
Wiring (pag. 14)	fig.1-2	fig.1-2	H07RN-F 3G1 fig. 3-4 H07RN-F 4G1 fig. 7-8	H07RN-F 3G1 fig. 3-4 H07RN-F 4G1 fig. 7-8
note	Also available with H07RN - F 2x1 PVC 2x1 cable. In this case please specify if needed for filling or emptying function.		Also available with H07RN-F 3G1 OIL RESISTANT cable. When ordering with 3G1 cable please specify if needed for filling or emptying function.	

Type	K06-10-400/B	96/110
Output cable	H07RN-F 3G1	SJTW 3x16AWG (Special Cable)
Cable diameter	9 ± 0,3 mm	9 mm nominal value
Code	LVM0006GY0	HAM0006EE0
Output cable	H07RN-F 4G1	
Cable diameter	10 mm nominal value	
Code	LZM0006GY0	
Features		
Microswitch electrical features	20(8)A 250V~ 10(6)A 400V~	21(8)A 250V~
Approval certificates	ENEC/CE	UL/CSA
External marking	10(8)A 250V~ 10(6)A 400V~	2HP 250V~ 12 FLA 1HP 125V~ 16 FLA
Operating temperature	0° ÷ + 50° C	0° ÷ + 60° C
Storage temperature	-20°C ÷ + 80° C	-20°C ÷ + 80° C
Pollution Index	IP68	IP68
Switch angle	± 45°	± 45°
Dimensions	mm 81x131x41.5	mm 81x131x41.5
Weight	gr. 163	gr. 169
Volume	cm³ 280	cm³ 280
Specific weight	0,582	0,580
Buoyancy	gr. 117	gr. 111
Max depth level	1BAR	1BAR
Housing	Non-toxic polypropylene (PP)	Polypropylene UL/CSA
Colouring	Non-toxic	Non-toxic
Function class	I	I
Wiring (pag. 14)	H07RN-F-3G1 fig. 3-4 H07RN-F-4G1 fig. 7-8	fig. 5-6
note	When ordering with 3G1 cable please specify if needed for filling or emptying function.	When ordering please specify if needed for filling or emptying function.



# Small

## Electromechanical level regulator

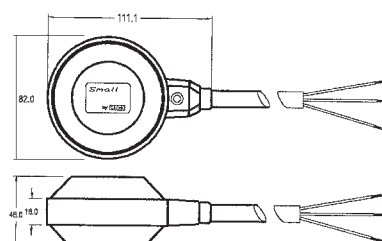
The Small level regulator is a float switch which allows electrical equipment to start and stop automatically (usually pumps, but also electric control valves, alarms, etc.) when a prefixed level has been reached.

The most essential characteristics of this device are that it is small, highly reliable, and with a high switching potential since it is equipped with micro-switches that have high commuting features 21(8)A 250V~ or 10(6)A 400V~ /20(8)A 250V~. In the first case, you will find that the external marking is 10(8) A 250V~ whereas in the second case, 10(6)A 400V~ / 10(8)A 250V~.

Model 53 with a 3X1 output cable can be used for the emptying or filling function according to the cables that have been connected. For the other models, at the moment of making the order, it is necessary to specify which function is required. The minimum working distance between the Small level regulator and the fixing point is 20 cm. whereas the maximum working distance is 50 cm.



Type	53	2C+T	S06-10-400	53/110
Output cable	PVC3X1	H07RN-F 3G1	H07RN-F 3G1	SJTW 3X16AWG (Special Cable)
Cable diameter	9 ± 0,3 mm	9 ± 0,3 mm	9 ± 0,3 mm	9 mm nominal value
Code	SPM0006sb0	SEM0006ob0	REM0006tb0	SCM0006ga0
Output cable	A07RN-F 3X1			
Cable diameter	9 ± 0,3 mm			
Code	SGM0006sb0			
<b>Features</b>				
Microswitch	21(8)A 250V ~	21(8)A 250V ~	10(6)A 400V~ 20(8)A 250V~	21(8)A 250V ~
Electrical features				
Approval certificates	CE	ENEC/CE	ENEC/CE	UL/CSA
External marking	10(8)A 250V~	10(8)A 250V~	10(6)A 400V~ 10(8)A 250V~	2HP 250V~ 12 FLA 1HP 125V~ 16 FLA
Operating temp.	0° ÷ + 50° C	0° ÷ + 50° C	0° ÷ + 50° C	0° ÷ + 60° C
Storage temperature	-20°C ÷ + 80° C	-20°C ÷ + 80° C	-20°C ÷ + 80° C	-20°C ÷ + 80° C
Pollution Index	IP68	IP68	IP68	IP68
Switch angle	± 45°	± 45°	± 45°	± 45°
Dimensions	mm 82x111x48	mm 82x111x48	mm 82x111x48	mm 82x111x48
Weight	gr. 107	gr. 111	gr. 111	gr. 134
Volume	cm³ 225	cm³ 225	cm³ 225	cm³ 225
Specific weight	0,491	0,491	0,491	0,595
Buoyancy	gr. 114	gr. 114	gr. 114	gr. 91
Max depth level	1BAR	1BAR	1BAR	1BAR
Housing	Non-toxic polypropylene (PP)	Non-toxic polypropylene (PP)	Non-toxic polypropylene (PP)	polypropylene UL/CSA
Colouring	Non-toxic	Non-toxic	Non-toxic	Non-toxic
Function class	II	I	I	I
Wiring (pag. 4)	fig.1-2	fig.3-4	fig.3-4	fig.5-6
note	Also available with H07RN - F 2x1 PVC 2x1 cable. When ordering with 2x1 cable please specify if needed for filling or emptying function.	Also available with H07RN-F 3G1 OIL RESISTANT cable. When ordering please specify if needed for filling or emptying function.	Also available with H07RN-F 3G1 OIL RESISTANT cable. When ordering please specify if needed for filling or emptying function.	Also available with H07RN-F 3G1 OIL RESISTANT cable. When ordering please specify if needed for filling or emptying function.



# MAC 5

*Level regulator for sewage water*

MAC 5 is an immersed tilting level regulator device. Its principal feature being its heavy body, which is also bulky and free of any irregularity, making it ideal for use in sewage water, in industrial waste water with suspended agglomerate residues and in tumultuous water.

The polypropylene body is made with a double airtight chamber with high-pressure melted polypropylene re-injection sealing to ensure perfect sealing capacity against infiltrations.

## Features

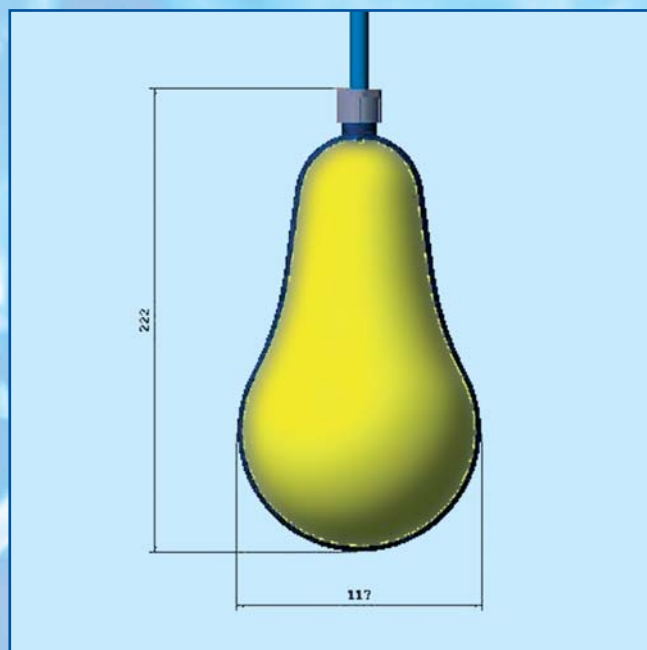
- |                               |                     |
|-------------------------------|---------------------|
| • Microswitch:                | 20 (8)A - 250 Vac   |
| • Homologation                | CE 10(8)A - 250 Vac |
| • Operating temperature °C:   | 0 ÷ +50             |
| • Storage temperature °C:     | -10 ÷ +60           |
| • Protection category:        | IP 68               |
| • Dimensions diam. x h in mm: | 117 x 222           |
| • Weight in g.:               | 1050                |
| • Volume in cm <sup>3</sup> : | 990                 |
| • Pressure resistance:        | 2 Bar               |
| • Container:                  | Polypropylene       |
| • Colouring agents:           | Non toxic           |
| • Functional class:           | I / II              |

**Codice: J X M XX 06GB0**

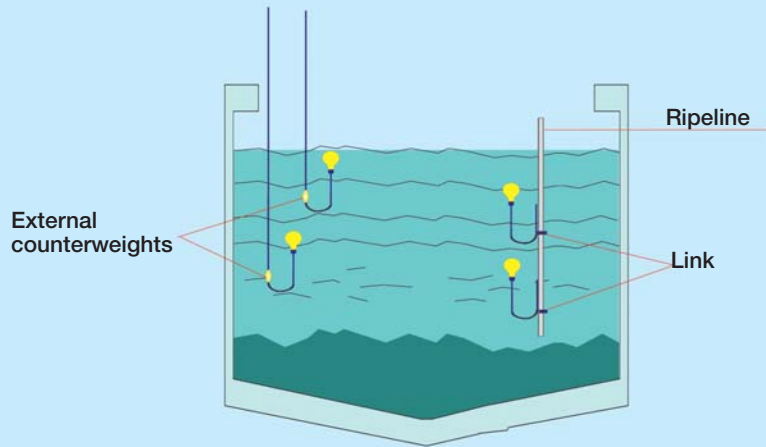
## CABLE:

- |                |          |  |
|----------------|----------|--|
| • PVC 3x1      | = P      |  |
| • A07RN-F 3x1  | = G      |  |
| • A07RN-F 4G1  | = Z      |  |
| • Cable length | = metres |  |

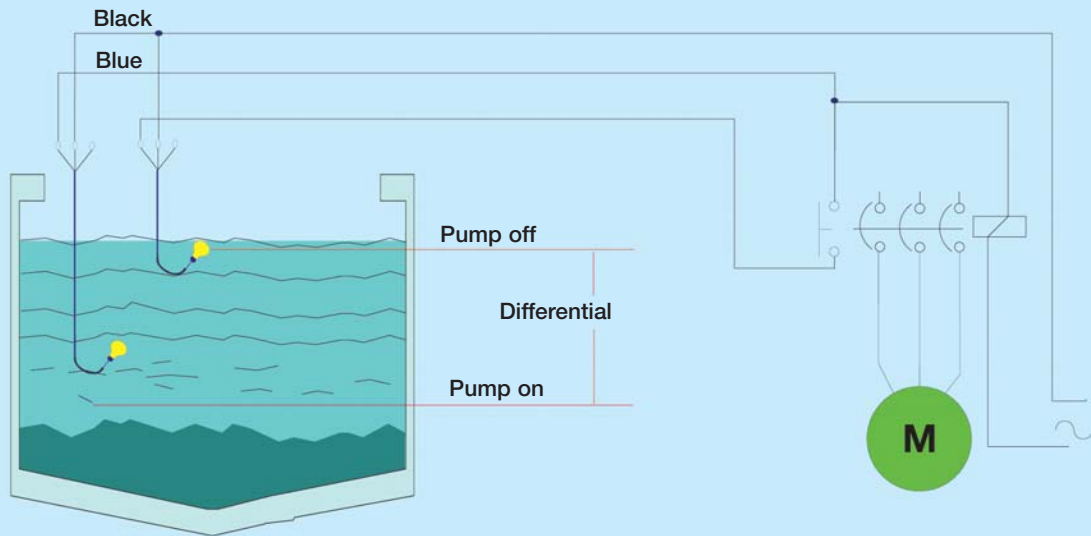
Standard with cable 10 mt



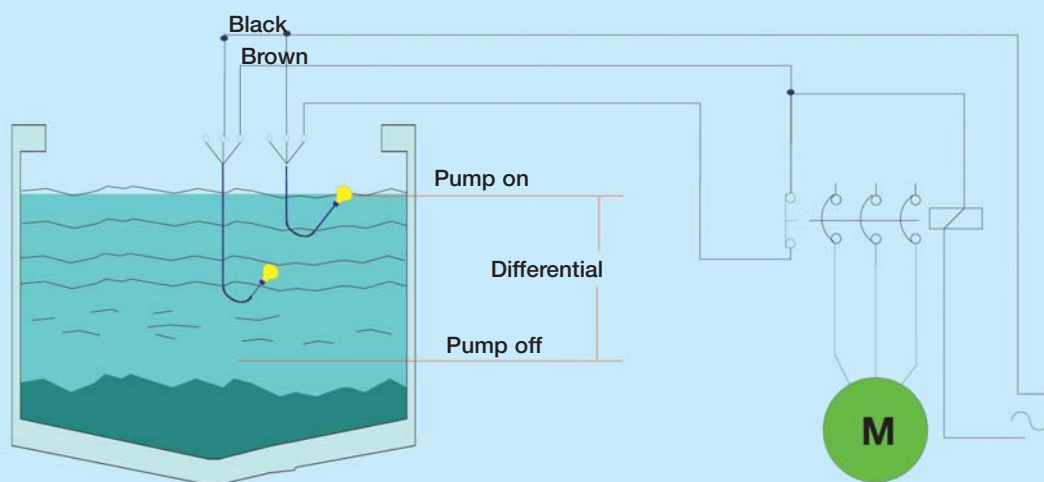
## INSTALLATION



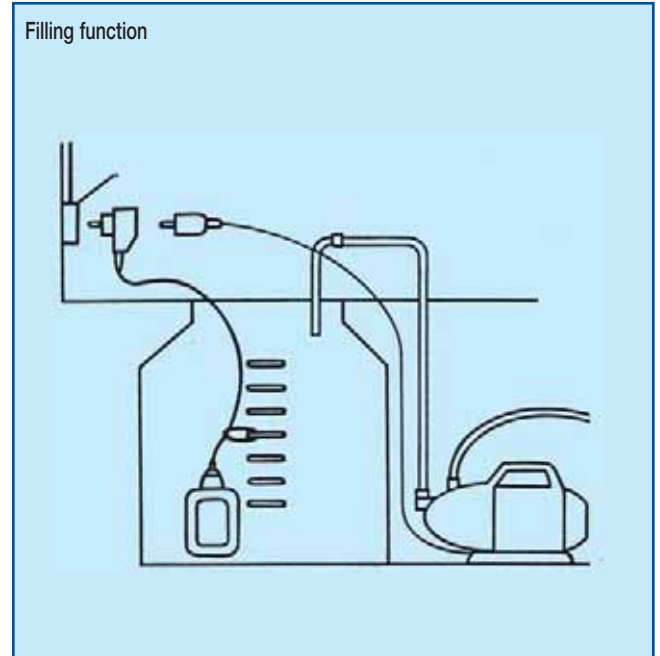
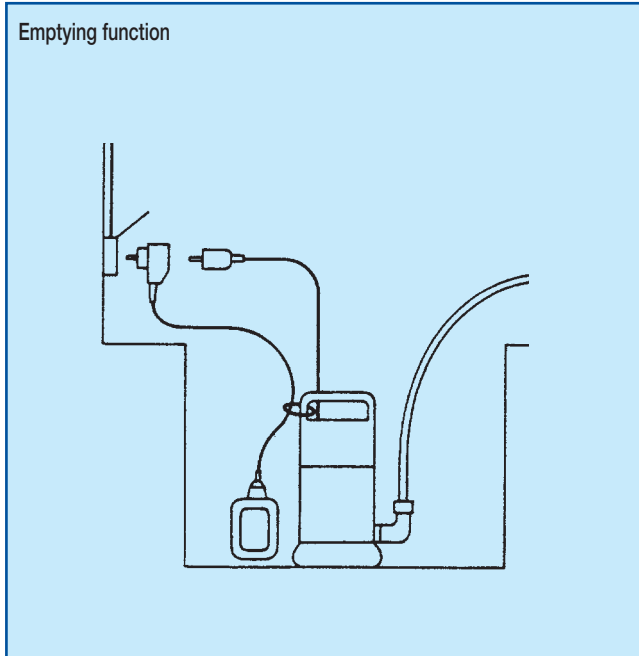
## FILLING FUNCTION



## EMPTYING FUNCTION



## Plug application for filling and emptying functions



## Counterweights

This item is inserted directly onto the level regulator output cable.

Counterweights		
Code	CONTR	CONTRP
Weight	Standard gr. 200	On request gr. 300
Dimensions	Ø 47X55	Ø 47X55
Material	Shock resistant polystyrene	Shock resistant polystyrene
Standard colour	yellow	yellow
Filling material	sand + iron shot	sand + iron shot
note	On request for large quantities other colours available	

